



AS-EP

AS-EP

MODULE FOR CAPTURING 4 DAMPER BLADE END POSITIONS (VOLT-FREE)

The module is used to connect the control system with the components

- Integral AS-Interface slave
- Monitoring of signal receipt
- With short circuit protection
- Easy wiring due to flat cable insulation displacement connectors ('click and go')
- Certified motor control modules for safe communication up to SIL2
- Special modules for dampers with special functions including redundant voltage supply
- Universal module for the connection of various terminal units such as fire dampers, smoke protection dampers or duct smoke detectors

Application

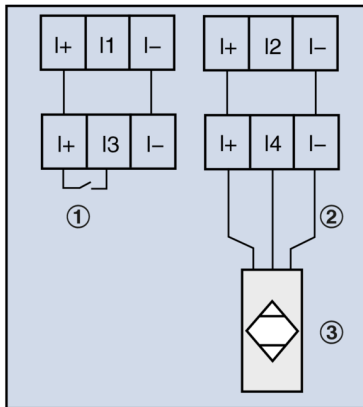


Application

- Connection of up to four limit switches: Damper blade position CLOSED or OPEN for 4 fire dampers, or positions CLOSED and OPEN for 2 fire dampers
- Integral AS-Interface slave
- Monitoring of signal receipt
- Supply voltage to the module through the AS interface
- Wiring of the limit switches with terminals; PG glands for cable penetration
- Up to 30 m cable length between module and limit switch
- Connection with flat cable insulation displacement connector

TECHNICAL INFORMATION

Connection of limit switches



- ① Mechanical switch
 - ② 3-wire cable
 - ③ PNP sensor
- Screw-fixing the top part to the base creates a safe electrical connection.

Description	AS-EP
Electrical design	4 inputs
Supply voltage	26.5 - 31.6 V DC
Current consumption	< 80 mA
Inputs	
Switching	PNP
Sensor voltage supply	AS-i
Voltage range	20 - 30 V DC
Max. current load (total for all inputs)	160 mA
With short circuit protection	Yes
Switching level - high signal 1	> 10 V
Input current high/low	> 5/< 1 mA
Status display	
Operation	LED green
Function	LED yellow
Ambient temperature	-25 to 85 °C
Protection level	IP 67
AS-i profile	S 0.0
I/O configuration	0 Hex
ID code	0 Hex
EMC	EN 50081-2; EN 50082-2
Casing materials	PBTP (Pocan)
Dimensions L × B × H	102 × 45 × 70 mm
Connection	Contact pins on FC or SC lower module
Data bits	Data bit I allocation: D0 I - 1, D1 I - 2, D2 I - 3, D3 I - 4

Standard description (characteristics)

- Module for capturing 4 damper blade end positions (volt-free)
- Integral AS-Interface slave
- Monitoring of signal receipt
- Flat cable connection
- Supply voltage to the module through the AS interface
- Make: TROX GmbH or equivalent
- Type: AS-EP

AS – EP



1 Module

AS-EPR	Module for the connection of four limit switches
AS-EM	Module for controlling an actuator
AS-EM/EK	Module for controlling actuators on smoke control dampers
AS-EM/SO	Module for controlling actuators with special functions
AS-EM/SIL2	Module for controlling actuators with SIL2 certificate
AS-EM/C	Module for universal control functions, 2 outputs, 4 inputs
TNC-A005S	AS-i safety input module
TNC-Z0094	Relay module 4E/4A
TNC-Z0047	Illuminated push button module