

TSFB

SECONDARY SILENCERS FOR VAV TERMINAL UNITS

For the reduction of air-regenerated noise from air terminal units Type SFTB and CVFB.

Rectangular secondary silencers for the reduction of air-regenerated noise from air terminal units Types SFTB and CVFB.

- Absorption material in non-combustible mineral wool with RAL quality mark, biosoluble and hence hygienically safe according to the German TRGS 905 (Technical Rules for Hazardous Substances) and EU directive 97/69/EG
- Mineral wool faced with glass fibre fabric as protection against erosion due to airflow velocities up to 20 m/s
- PU foam side lining and polymer splitters for sizes 210, 310 and 410

Application



Application

- Secondary silencer Type TSFB to reduce the air-regenerated noise from air terminal units
- For air terminal units SFTB and CVFB

Nominal sizes

- 110, 210, 310, 410

Description



Parts and characteristics

- Casing
- Absorption material

Useful additions

- Optional total flow measurement grid for commissioning and checking of the total volume using a micro-manometer

Construction features

- Absorption sound attenuator
- Rectangular casing
- Connection on the room end suitable for 30 mm air duct profiles
- Splitters with aerodynamic profile
- Splitter arrangement and number depends on the nominal size
- Rectangular casing
- Connection on the room end suitable for air duct profiles
- Thermal and acoustic insulation (lining)

Materials and surfaces

- Casing and splitter frames made of galvanised sheet steel
- Absorption material is mineral wool with PU side liners and open cell polymer foam splitters

Mineral wool:

- To EN 13501, fire rating class A1, non-combustible RAL quality mark RAL-GZ 388
- Bio-soluble and hence hygienically safe according to the German TRGS 905 (Technical Rules for Hazardous Substances) and EU directive 97/69/EG
- Faced with glass fibre fabric as protective against erosion through airflow velocities of up to 20 m/s
- Inert to fungal and bacterial growth

Maintenance

- Maintenance free as construction and materials are not subject to wear

TECHNICAL INFORMATION

Specification text, Order code



Specification text

- Rectangular secondary silencers for VAV terminal units to reduce the air-regenerated noise, available in 4 nominal sizes
- Casing with acoustic and thermal insulation
- Aerodynamically profiled splitters
- Silencer and plates suitable for 30 mm flanged duct

Materials and surfaces

- Casing and splitter frames made of galvanised sheet steel
- Absorption material is mineral wool with PU side liners and open cell polymer foam splitters

Mineral wool

- To EN 13501, fire rating class A1, non-combustible RAL quality mark RAL-GZ 389
- Bio-soluble and hence hygienically safe according to the German TRGS 905 (Technical Rules for Hazardous Substances) and EU directive 97/69/EG
- Faced with glass-fibre fabric as protection against erosion through airflow velocities of up to 20 m/s
- Inert to fungal and bacterial growth

Foam lining

- All foam lining materials have Class 'O' fire rating conforming to UK building regulations

TSFB - S - VGR - D1 / 210 / 0
 1 2 3 4 5 6

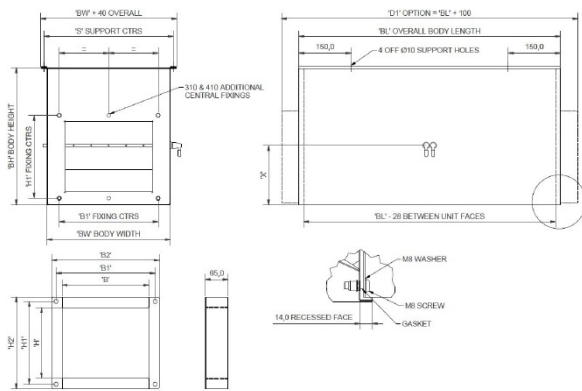
- 1 Type**
TSFB Secondary silencer for SFTB or CVFB Fan VAV terminal unit
- 2 Unit Type**
S SFTB
C CVFB
- 3 Flowgrid**
No entry: none
VGL Left
VGR Right
- 4 Duct Piece**
No entry: none
D1 Additional ducts fitted
- 5 Size**
110, 210, 310, 410
- 6 Not used**

Order example: TSFB-S-VGR-D1/210/0

Unit type	SFTB
Flowgrid handling	Right
Additional duct pieces	Fitted
Size	210

For CVFB fan VAV unit, TSFB-C...-D1/110/0 or TSFB-C...-D1/210/0 will be the basic code as the unit requires only the size 110 or 210 attenuator with D1 additional ducts

Dimensions and weight



Optional total flow measuring grid connections to suit 6mm I/D tubing