



# TROXNETCOM AS-i

## Switching power supply units



### Switching power supply unit for 24 V supply

Controlled power supply for sensors, actuators, sensor electronics and controller

- High efficiency of > 84 %
- Input and output with overvoltage protection
- Can be attached to a mounting rail, no tools required
- Output voltage adjustable up to 28 V DC
- Overload protection, up to 1.5 × nominal current
- Very high efficiency, hence very low heat buildup
- LED for secondary voltage



General information	2	TNC-D1030	4
Order code	3		

## General information

### Application

- Switching power supply unit TNC-D1030 (24 V DC; 1.25 A)
- Power supply for AS-i controllers as well as for operating and display units
- Very high efficiency of 84 %
- Low ripple voltage 50 mV
- High reliability



Order code

TNC – D1030  
|  
1

**1 Type**

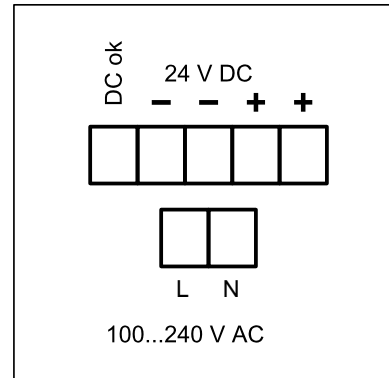
**TNC-D1030** Output current 1.25 A

**TNC-D4011** Output current 3.3 A

**TNC-D4012** Output current 5 A

**TNC-D4013** Output current 10 A

## TNC-D1030



### Application

- Switching power supply unit TNC-D1030 (24 V DC; 1.25 A)
- Power supply for AS-i controllers as well as for operating and display units
- Very high efficiency of 84 %
- Low ripple voltage 50 mV
- High reliability

Description	TNC-D1030
Output current	1.25 A
Nominal voltage	< 230 V AC
Input voltage range	100 – 240 V AC
Nominal frequency	47 – 63 Hz
Efficiency	84 %
TROX casing	PC-ABS
Protection level	IP 20
IEC protection class	II (protective earth)
Connection	Spring cage terminals
Temperature range	0 – 70 °C
Derating	2 %/K (> 60 °C)
Output voltage	24 – 28 V DC ( $\pm 2\%$ ) to SELV/PELV
Readiness delay time	< 255 s
Max. ripple voltage	50 mV
Mains buffering time	120 ms
Short-circuit protection / overload protection	Yes (to IEC 61140)
EMC	EN 61000-6-2; EN 61000-6-3
LEDs	DC OK; 1 x LED, green
Weight	278.5 g
Dimensions	90 x 45 x 100 mm

**Specification text**

- Switching power supply unit for supplying the controller or text display with power
- Nominal voltage: < 230 V AC
- Output voltage: 24 – 28 V DC ( $\pm 2\%$ ), SELV/PELV
- Output current: 1.25 A
- Nominal frequency: 47 – 63 Hz
- Efficiency: 84 % (230 V AC; 24 V DC/1.25 A)
- Connection: spring cage terminals
- Casing materials: PC-ABS
- Ambient temperature: 0 – 70 °C
- Protection level: IP 20
- Status display: LED green
- Make: TROX GmbH or equivalent