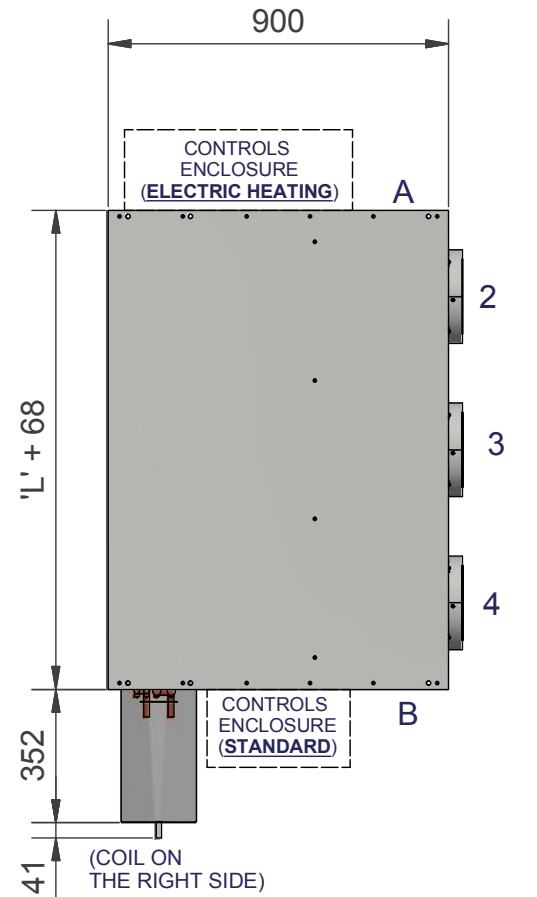


THIS DRAWING IS NOT TO BE COMMUNICATED DISCLOSED COPIED OR PUBLISHED EXCEPT AS EXPRESSLY AUTHORISED IN WRITING BY TROX(UK)LTD ©

# RIGHT HAND UNIT

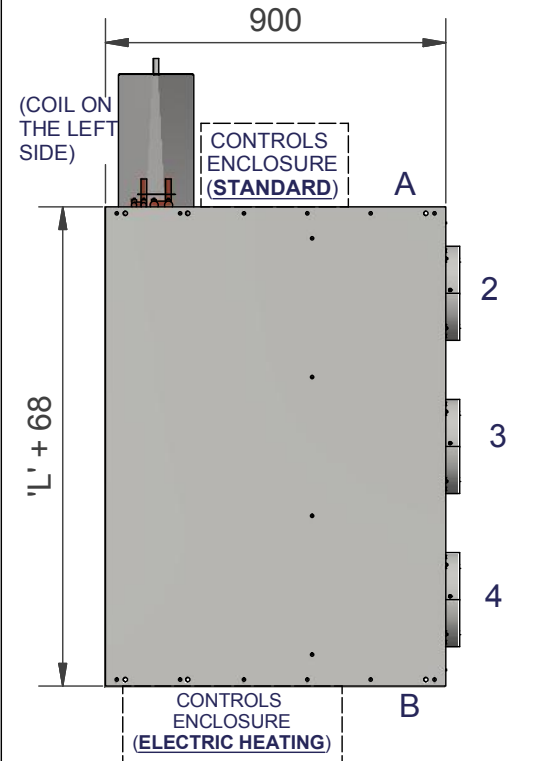
PWX-120 SHOWN (RH) (TOP VIEW)



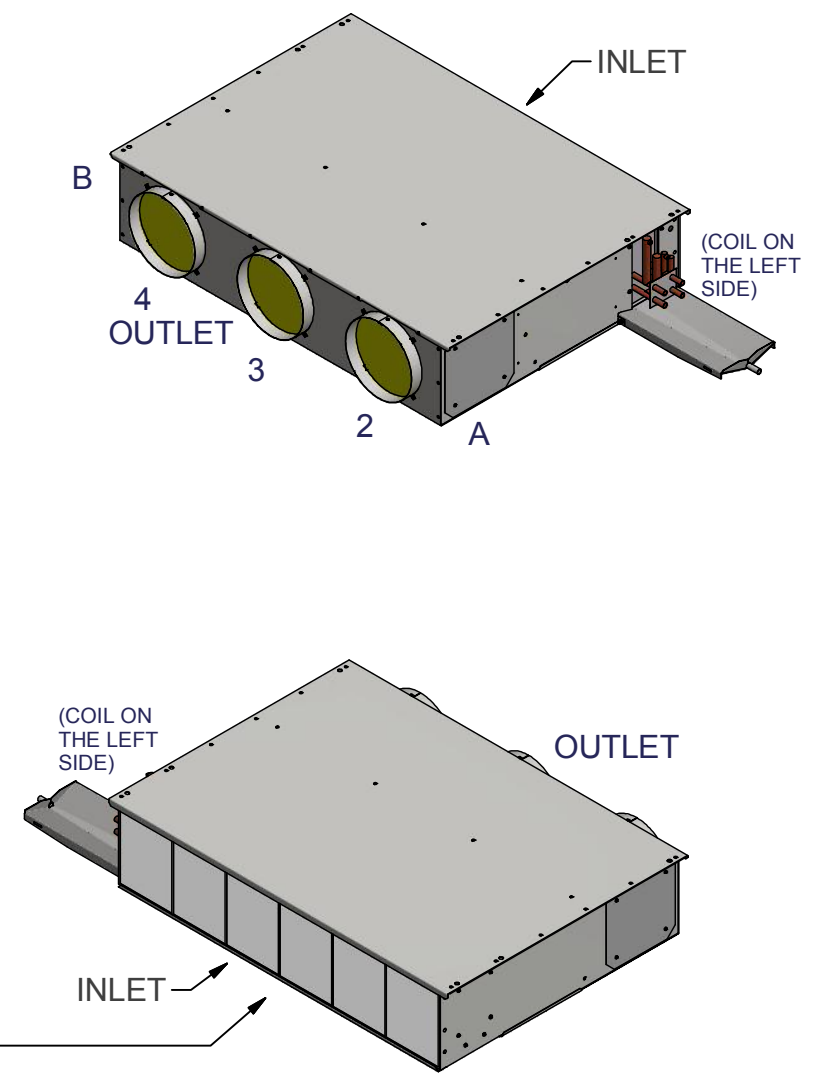
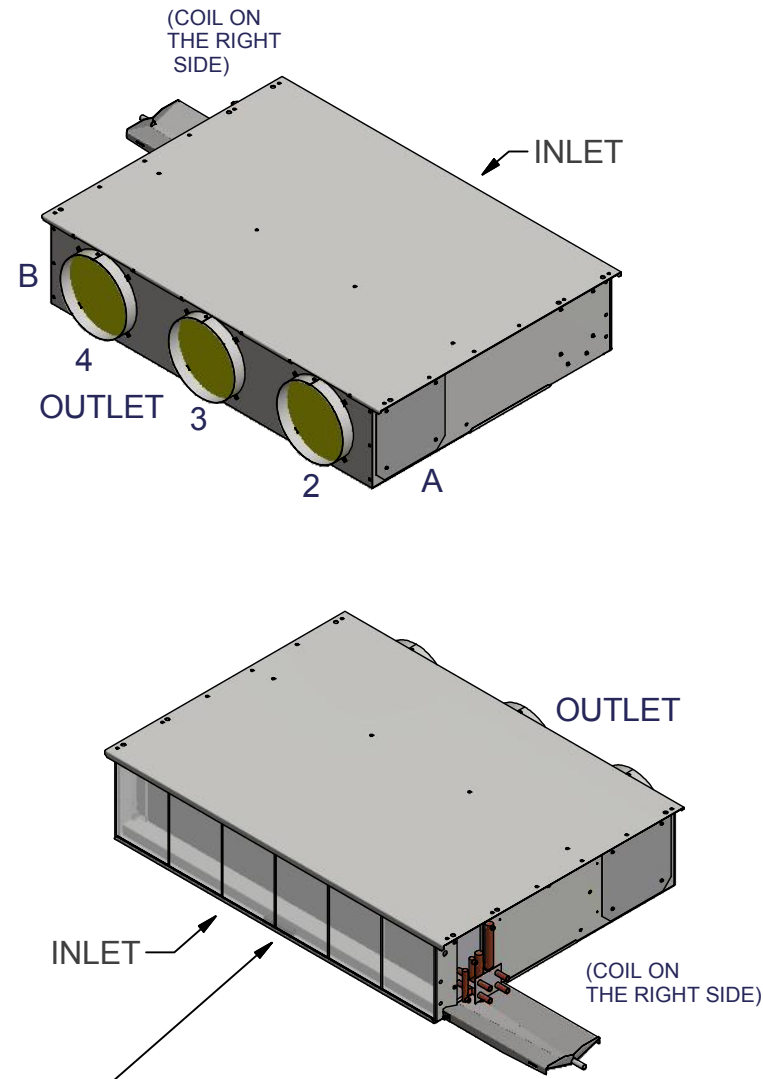
RH UNIT:  
COIL CONNECTIONS AND DRIP TRAY  
ARE LOCATED ON THE RIGHT HAND SIDE  
WHEN LOOKING INTO FCU INLET

# LEFT HAND UNIT

PWX-120 SHOWN (LH) (TOP VIEW)



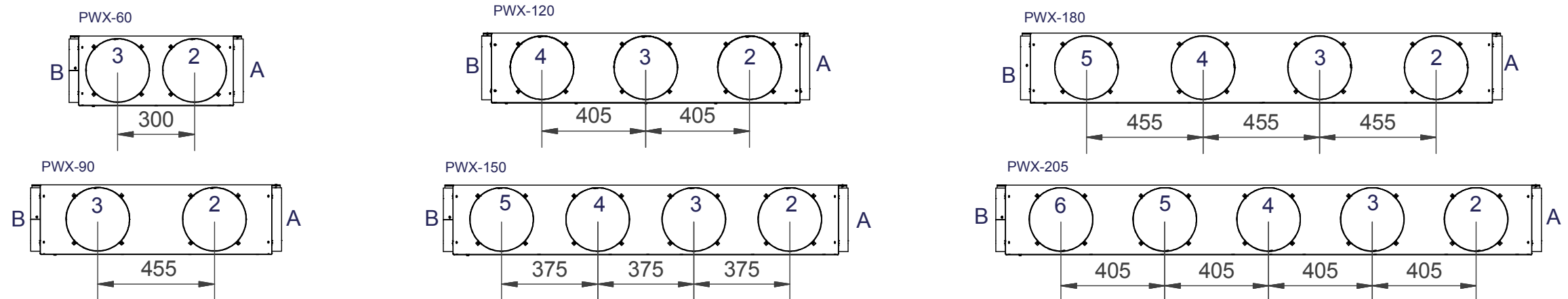
LH UNIT:  
COIL CONNECTIONS AND DRIP TRAY  
ARE LOCATED ON THE LEFT HAND SIDE  
WHEN LOOKING INTO FCU INLET



## SPIGOT POSITIONS

(LOOKING INTO FCU OUTLET,  
HANDING INDEPENDENT,  
COIL AND DRIP TRAY  
OMITTED FROM VIEWS)

UNIT SIZE	'L'
60	600
90	900
120	1200
150	1500
180	1800
205	2050



<p>TOLERANCES - UNLESS OTHERWISE STATED -</p> <p>1 = ±1.0mm</p> <p>1.0 = ±0.5mm</p> <p>1.00 = ±0.25mm</p> <p>1.000 = ±0.05mm</p> <p>ANGULAR ± 0.5 DEG</p>	DO NOT SCALE	Drawn by mg2	Date 12/06/2017	Material	Description PWX GENERIC SPIGOT OPTIONS	
	REMOVE SHARP EDGES	Scale 1 : 20 @ A3	Mat'l Spec		Project PWX	
	IF IN DOUBT ASK!	3RD ANGLE PROJECTION	Part No.	Finish	Project No.	Sheet No. 1 of 1
	TROX® TECHNIK	TROX (UK) LTD - CAXTON WAY, THETFORD, NORFOLK IP24 3SQ TEL - 01842 754545 : FAX - 01842 763051 : email - trox@troxuk.co.uk UK Design Right 12/06/2017		Drawing No. 380819	Rev A	

REV	DESCRIPTION	DATE	DRAWN
A	FIRST ISSUE	05/09/2018	mg2