

# TROXNETCOM AS-i Controllers and repeaters



## Controllers for the data acquisition and control of the field modules, repeaters for a maximum expansion of the network

Controller for controlling actuators and for monitoring the damper blade position and duct smoke detectors

- Controller with TROXNETCOM Basic User Software
- Easy and safe commissioning without programming
- Controller with master function for stand-alone operation
- System monitoring
- Automatic recognition of components and their status
- Menu-driven user interface (controller display) for system configuration
- Peripheral equipment can be tested without additional auxiliary equipment



Type		Page
Controllers and repeaters	General information	6.2 – 2
	Special information – TNC-A1305	6.2 – 3
	Special information – TNC-A1306	6.2 – 5
	Special information – TNC-A1353	6.2 – 7
	Special information – TNC-A1354	6.2 – 9
	Special information – TNC-A1375	6.2 – 11
	Special information – TNC-A2225	6.2 – 13
	Special information – TNC-A003S	6.2 – 15
	Special information – TNC-ZB0252	6.2 – 17
	Special information – TNC-Z0119	6.2 – 19
	Basic information and nomenclature	6.4 – 1

### Description



TROXNETCOM AS-i  
Controllers and repeaters

### Application

#### Controller

- Controllers (AS-i masters) are basically used for management functions.
- They initialise the AS-Interface network, recognise all slaves on a bus, perform error diagnosis, and send signals.
- They also control the data transfer on the bus and request status information from all slaves in regular intervals.
- The data for all slaves is stored in the controller
- A single controller can manage 31 slaves, a dual controller can manage 62 slaves
- Controllers provide interfaces (gateway functions) to higher-level central units or controls, e.g. PROFIBUS DP and Ethernet
- Controllers can be linked through these interfaces and hence allow for building independent systems without a central unit
- The programming effort for the central unit is fairly low since the data in the controller have already been pre-processed
- The AS-Interface controller is treated as a slave of the higher-level system
- AS-Interface does not incur the cost for programming the gateway function, which is usually required for other systemsurface
- This is handled by the dedicated TNC Basic User Software
- Each controller with master function is equipped with this software

#### Repeater

- AS-i repeaters are used to extend the usual length of AS-i networks by another 100 m
- An existing 100 m segment can be extended by another 100 m
- Two repeaters can be used on one AS-i segment, i.e. one segment can be up to 300 m long
- The total number of 31 slaves per controller cannot be exceeded
- A repeater acts also as galvanic isolation of the two AS-i segments, hence providing safety against short circuits
- Active slaves can be positioned before and after the repeater
- Each repeater requires an AS-i power supply unit

### Order code

<b>TNC – A1305</b>
1

#### 1 Type

<b>TNC-A1305</b>	Controller with PROFIBUS DP interface; 1 master
<b>TNC-A1306</b>	Controller with PROFIBUS DP interface; 2 masters
<b>TNC-A1353</b>	Controller with Modbus/TCP interface; 1 master
<b>TNC-A1354</b>	Controller with Modbus/TCP interface; 2 masters
<b>TNC-A1375</b>	Gateway with PROFIBUS DP interface; 1 master
<b>TNC-A2225</b>	Repeater
<b>TNC-ZB0252</b>	AS-i safety gateway
<b>TNC-Z0119</b>	Passive bus termination
<b>TNC-A1146</b>	AS-i tuner (diagnosis module)

**Description**



TNC-A1305

**Application**

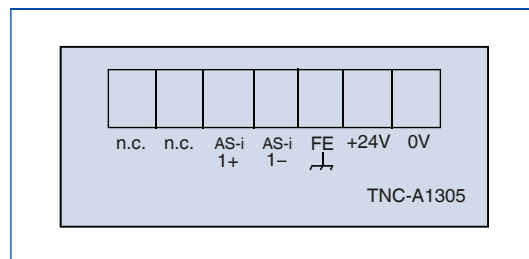
- AS-i controller TNC-A1305 with 1 master for 31 AS-i slaves
- Decentralised operating and monitoring system with signal preprocessing and gateway
- With TNC Basic User Software
- Recognition of all slaves on a bus
- For initialising the AS interface network
- Error diagnosis and signalling
- LC display, 43 × 28 mm, also for operation
- PROFIBUS DP interface

**Technical data**

Description	TNC-A1305
Supply voltage	24 V DC
Current consumption	< 500 mA
Power consumption	< 10 VA
Programming interface	RS232C: RJ11; 9600 – 115200 Bd, galvanically isolated
Data interface	PROFIBUS DP (EN 50170); max. 12 MBd slave
Diagnosis via PROFIBUS DP	Yes
PLC memory for user program	128 Kwords
Display	Graphic LC display 128 × 64 pixels, 43 × 28 mm
Max. acceptable rel. humidity	< 95 %
Status LED	2 × red; 2 × green; 2 × yellow
Ambient temperature	0 – 60 °C
Storage temperature	-20 to 70 °C
IP protection level	IP 20
MTTF	5 years
AS-i profile	M3
AS-i certificate	61103
Casing materials	Aluminium, galvanised sheet steel
Casing dimensions	124 × 97 × 86 mm
Fixing	On DIN mounting rail

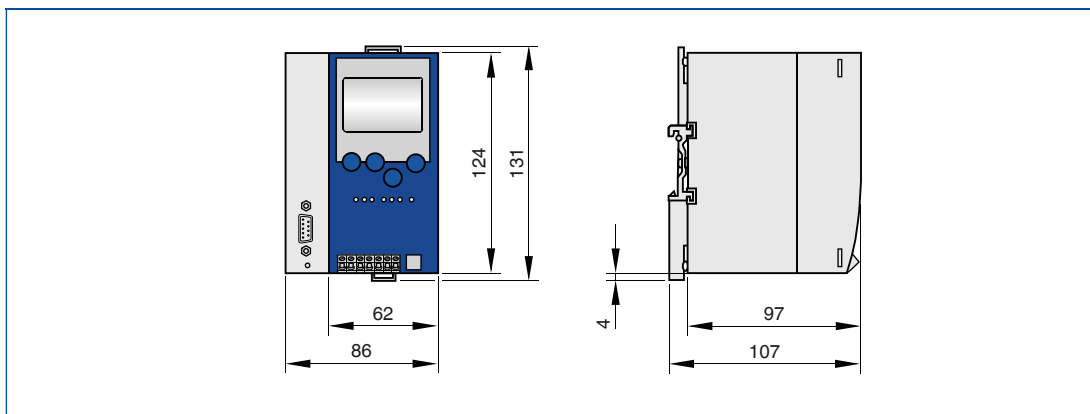
**Wiring**

**Connecting cable core identification  
TNC-A1305**



Dimensions

AS-i controller TNC-A1305



Specification text

**Standard description (characteristics)**

AS-i controller TNC-A1305 (1 master) is a compact AS-i master system with integral text/graphic display and PROFIBUS DP interface.

- Control of components as part of fire damper control

Integral TNC Basic User Software with the following functions:

- Automatic recognition of TROX modules and their functions
- Automatic grouping
- Network control
- Automatic function test
- Manual control of dampers
- Integral display, also for operation
- Simple, menu-driven configuration and adjustment
- Supply voltage: 24 V DC
- Total current consumption from AS-i: < 10 mA
- Casing materials: Aluminium, galvanised sheet steel
- Ambient temperature: 0 – 60 C°
- IP protection level: IP 20
- Status display: LEDs, 2 x red, 2 x green, 2 x yellow
- Make: TROX GmbH or equivalent
- Type: TNC-A1305

**Description**



TNC-A1306

**Application**

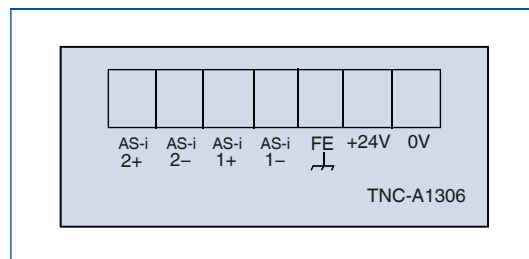
- AS-i c TNC-A1306  
with 2 masters for 62 AS-i slaves
- Decentralised operating and monitoring system  
with signal preprocessing and gateway
- With TNC Basic User Software
- Recognition of all slaves on a bus
- For initialising the AS interface network
- Error diagnosis and signalling
- LC display, 43 × 28 mm, also for operation
- PROFIBUS DP interface

**Technical data**

Description	TNC-A1306
Supply voltage	24 V DC
Current consumption	< 500 mA
Power consumption	< 10 VA
Programming interface	RS232C: RJ11; 9600 – 115200 Bd, galvanically isolated
Data interface	PROFIBUS DP (EN 50170); max. 12 MBd slave
Diagnosis via PROFIBUS DP	Yes
PLC memory for user program	128 Kwords
Display	Graphic LC display 128 × 64 pixels, 43 × 28 mm
Max. acceptable rel. humidity	< 95 %
Status LED	3 × red; 3 × green; 3 × yellow
Ambient temperature	0 – 60 °C
Storage temperature	-20 to 70 °C
IP protection level	IP 20
MTTF	5.19 years
AS-i profile	M3
AS-i certificate	61104
Casing materials	Aluminium, galvanised sheet steel
Casing dimensions	124 × 97 × 86 mm
Fixing	On DIN mounting rail

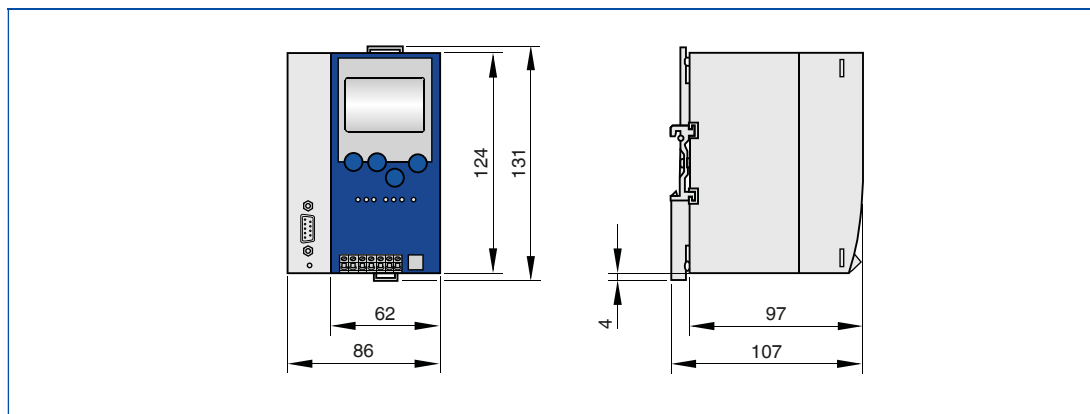
**Wiring**

**Connecting cable core identification  
TNC-A1306**



Dimensions

AS-i controller TNC-A1306



Specification text

**Standard description (characteristics)**

AS-i controller TNC-A1306 (2 masters) is a compact AS-i master system with integral text/graphic display and PROFIBUS DP interface.

- Control of components as part of fire damper control

Integral TNC Basic User Software with the following functions:

- Automatic recognition of TROX modules and their functions
- Automatic grouping
- Network control
- Automatic function test
- Manual control of dampers
- Integral display, also for operation
- Simple, menu-driven configuration and adjustment
- Supply voltage: 24 V DC
- Total current consumption from AS-i: < 10 mA
- Casing materials: Aluminium, galvanised sheet steel
- Ambient temperature: 0 – 60 C°
- IP protection level: IP 20
- Status display: LEDs, 3 x red, 3 x green, 3 x yellow
- Make: TROX GmbH or equivalent
- Type: TNC-A1306

**Description**



TNC-A1353

**Application**

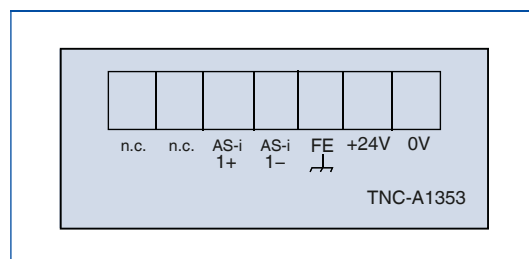
- AS-i c TNC-A1353 with 1 master for 31 AS-i slaves
- Decentralised operating and monitoring system with signal preprocessing and gateway
- With TNC Basic User Software
- Recognition of all slaves on a bus
- For initialising the AS interface network
- Error diagnosis and signalling
- LC display, 43 × 28 mm, also for operation
- Ethernet
- Modbus/TCP interface

**Technical data**

Description	TNC-A1353
Supply voltage	24 V DC
Current consumption	< 400 mA
Power consumption	< 10 VA
Programming interface	RS232C: RJ11; 9600 – 115200 Bd, galvanically isolated Ethernet CAA, RJ45; 10/100 MBd
Data interface	Modbus/TCP
Diagnosis via PROFIBUS DP	Yes
PLC memory for user program	128 Kwords
Display	Graphic LC display 128 × 64 pixels, 43 × 28 mm
Max. acceptable rel. humidity	< 95 %
Status LED	1 × red; 2 × green; 3 × yellow
Ambient temperature	0 – 60 °C
Storage temperature	-20 to 70 °C
IP protection level	IP 20
MTTF	5.2 years
AS-i profile	M3
AS-i certificate	In preparation
Casing materials	Aluminium, galvanised sheet steel
Casing dimensions	124 × 97 × 86 mm
Fixing	On DIN mounting rail

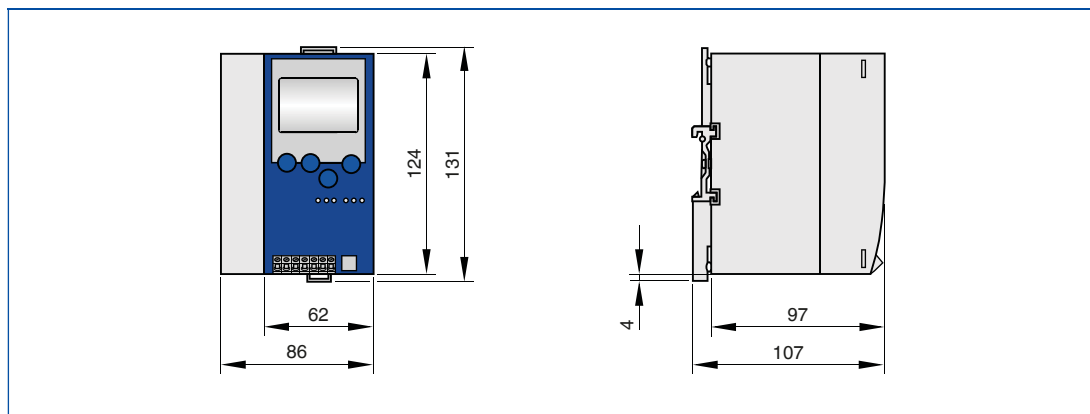
**Wiring**

**Connecting cable core identification  
TNC-A1353**



Dimensions

AS-i controller TNC-A1353



Specification text

**Standard description (characteristics)**

AS-i controller TNC-A1353 (1 master) is a compact AS-i master system with integral text/graphic display and Ethernet interface. (Modbus TCP)

- Control of components as part of fire damper control

Integral TNC Basic User Software with the following functions:

- Automatic recognition of TROX modules and their functions
- Automatic grouping
- Network control
- Automatic function test
- Manual control of dampers
- Integral display, also for operation
- Simple, menu-driven configuration and adjustment
- Supply voltage: 24 V DC
- Total current consumption from AS-i: < 10 mA
- Casing materials: Aluminium, galvanised sheet steel
- Ambient temperature: 0 – 60 C°
- IP protection level: IP 20
- Status display: LEDs, 1 x red, 2 x green, 3 x yellow
- Make: TROX GmbH or equivalent
- Type: TNC-A1353



**Description**



TNC-A1354

**Application**

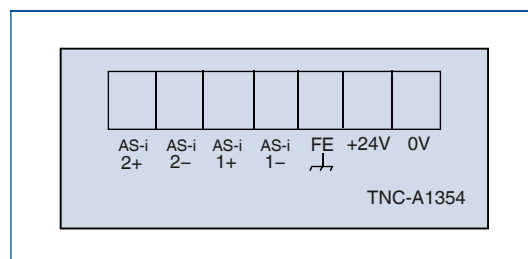
- AS-i controller TNC-A1354 with 2 masters for 62 AS-i slaves
- Decentralised operating and monitoring system with signal preprocessing and gateway
- With TNC Basic User Software
- Recognition of all slaves on a bus
- For initialising the AS interface network
- Error diagnosis and signalling
- LC display, 43 × 28 mm, also for operation
- Ethernet
- Modbus/TCP interface

**Technical data**

Description	TNC-A1354
Supply voltage	24 V DC
Current consumption	< 400 mA
Power consumption	< 10 VA
Programming interface	RS232C: RJ11; 9600 – 115200 Bd, galvanically isolated Ethernet CAA, RJ45; 10/100 MBd
Data interface	Modbus/TCP
Diagnosis via PROFIBUS DP	Yes
PLC memory for user program	128 Kwords
Display	Graphic LC display 128 × 64 pixels, 43 × 28 mm
Max. acceptable rel. humidity	< 95 %
Status LED	2 × red; 3 × green; 4 × yellow
Ambient temperature	0 – 60 °C
Storage temperature	-20 to 70 °C
IP protection level	IP 20
MTTF	5 years
AS-i profile	M3
AS-i certificate	In preparation
Casing materials	Aluminium, galvanised sheet steel
Casing dimensions	124 × 97 × 86 mm
Fixing	On DIN mounting rail

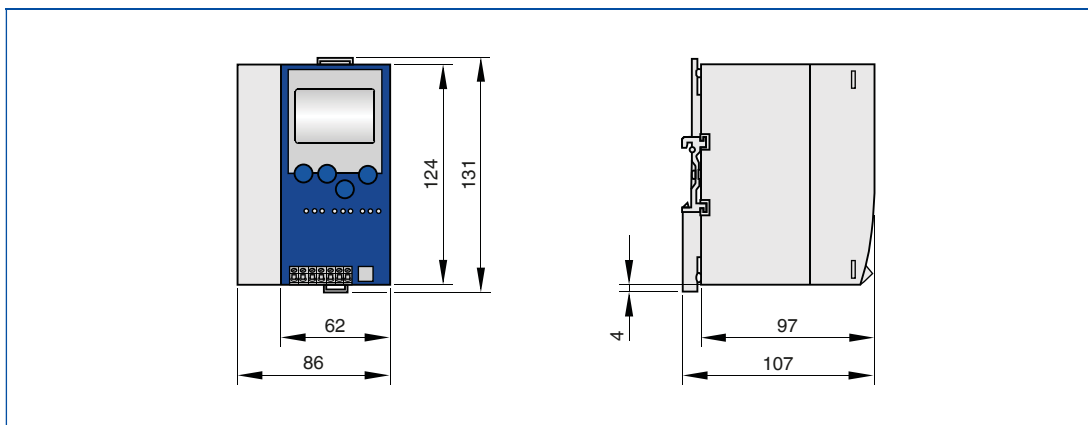
**Wiring**

**Connecting cable core identification  
TNC-A1354**



Dimensions

AS-i controller TNC-A1354



Specification text

**Standard description (characteristics)**

AS-i controller TNC-A1354 (2 master) is a compact AS-i master system with integral text/graphic display and Ethernet interface. (Modbus TCP)

- Control of components as part of fire damper control
- Integral TNC Basic User Software with the following functions:
- Automatic recognition of TROX modules and their functions
  - Automatic grouping
  - Network control
  - Automatic function test
  - Manual control of dampers
  - Integral display, also for operation
  - Simple, menu-driven configuration and adjustment
  - Supply voltage: 24 V DC
  - Total current consumption from AS-i: < 10 mA
  - Casing materials: Aluminium, galvanised sheet steel
  - Ambient temperature: 0 – 60 C°
  - IP protection level: IP 20
  - Status display: LEDs, 2 x red, 3 x green, 4 x yellow
  - Make: TROX GmbH or equivalent
  - Type: TNC-A1354

**Description**



TNC-A1375

**Application**

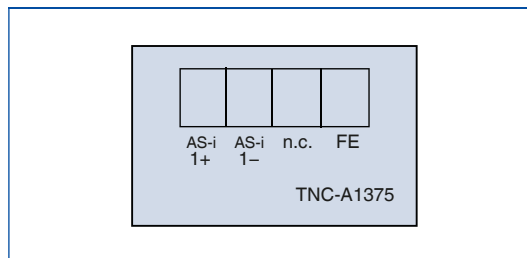
- AS-i gateway TNC-A1375 with 1 master for 31 AS-i slaves
- Recognition of all slaves on a bus
- Error diagnosis and signalling
- LC display, 43 x 28 mm, also for operation
- PROFIBUS DP interface

**Technical data**

Description	TNC-A1375
Supply voltage	26.5 – 31.6 V DC
Current consumption	< 200 mA
Power consumption	< 4 VA
Data interface	PROFIBUS-DP; max. 12 MBd; EN 50170
Diagnosis via PROFIBUS DP	Yes
Display	Graphic LC display 128 x 64 pixels, 43 x 28 mm
Max. acceptable rel. humidity	< 95 %
Status LED	2 x red; 1 x green; 1 x yellow
Ambient temperature	0 – 60 °C
Storage temperature	-20 – 70 °C
IP protection level	IP 20
MTTF	5 years
AS-i profile	M4
AS-i certificate	In preparation
Casing materials	Aluminium, galvanised sheet steel
Casing dimensions	124 x 97 x 86 mm
Fixing	On DIN mounting rail

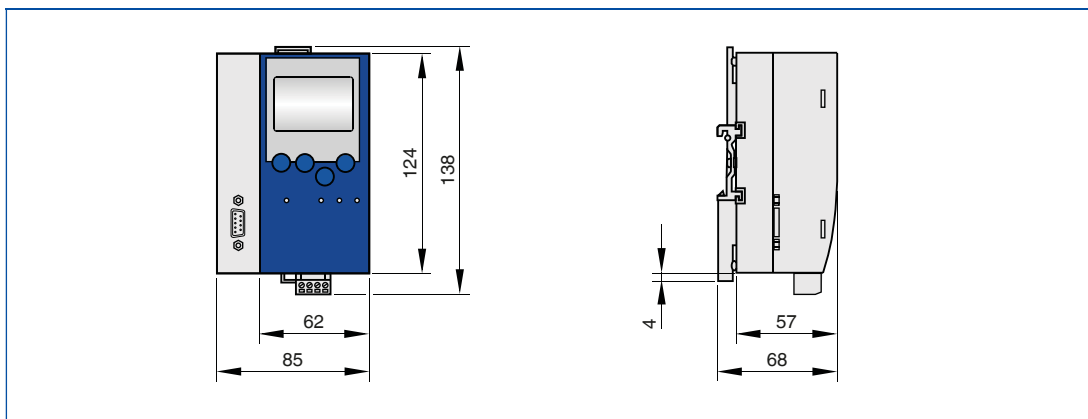
**Wiring**

**Connecting cable core identification  
TNC-A1375**



Dimensions

AS-i gateway TNC-A1375



Specification text

**Standard description (characteristics)**

AS-i gateway TNC-A1375 is a compact gateway with PROFIBUS DP interface and without data processing.

- Supply voltage: 26.5 – 31.6 V DC (AS-i)
- Electrical design: SmartLink DP with 1 AS-i master
- Total current consumption from AS-i: < 200 mA
- Casing materials: Aluminium, galvanised sheet steel
- Ambient temperature: 0 – 60 C°
- IP protection level: IP 20
- Status display:  
LEDs, 2 x red, 1 x green, 1 x yellow
- Make: TROX GmbH or equivalent
- Type: TNC-A1375

**Description**



TNC-A2225

**Application**

- AS-i repeater TNC-A2225 allows for cable extension by 100 m
- Modules are installed before and after the repeater
- Galvanic isolation of two AS-i branches

**Technical data**

Description	TNC-A2225
Supply voltage	26.5 – 31.6 V DC
Current consumption	60 mA per AS-i segment
AS-i interfaces	2
No. of additionally required AS-i power supply units	1
No. of repeaters/controllers/parallel operation	Any number if according to AS-i specification
No. of repeaters/controllers/series operation	up to 2
Galvanically isolated	Yes
Power LED	2 x green
Error LED	2 x red
Ambient temperature	0 – 55 °C
IP protection level	IP 20
EMC	EN 50295
MTTF	180 years
Casing materials	PA 6.6
Note	The AS-i repeater has no slave address; total no. of AS-i slaves per master segment (31 or 62) remains unchanged, no parameter setting required

**Wiring**

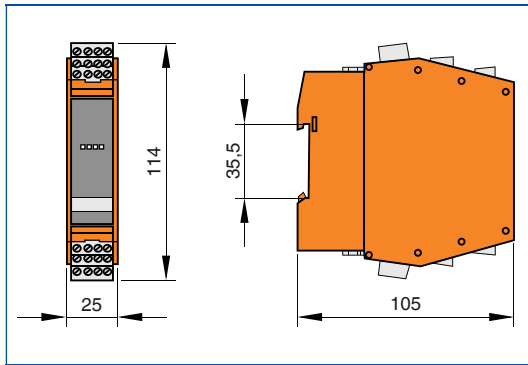
**Connecting cable core identification**

Outgoing AS-i cable	
A-:	AS-i – line 2
A+:	AS-i + line 2
A-:	AS-i – line 2
A+:	AS-i + line 2

Incoming AS-i cable	
A+:	AS-i + line 1
A-:	AS-i – line 1
A+:	AS-i + line 1
A-:	AS-i – line 1

Dimensions

AS-i repeater TNC-A2225



Specification text

**Standard description (characteristics)**

AS-i repeater allows for a cable extension by 100 m.

- Total current consumption from AS-i: 2 x 60 mA
- Output/connection: Combicon connector
- Casing materials: PA 6.6
- Ambient temperature: 0 – 55 C°
- IP protection level: IP 20
- Operation: LED, 2 x green
- Error: LED, 2 x red
- Make: TROX GmbH or equivalent
- Type: TNC-A2225

Description



TNC-A003S

Application

- AS-i safety monitor TNC-A003S
- Safety monitor for monitoring data transmission and the AS-i controller, for safety related applications up to SIL 3 to IEC/EN 61508, e.g. for the control of smoke control dampers

Technical data

Description	TNC-A003S
Supply voltage	24 V DC ± 15 %
Residual ripple	< 15 %
Rated operating current	150 mA
Peak switch-on current <sup>1)</sup>	600 mA
Response time (safety related)	< 40 ms
Power ON delay time	< 10 s
AS-i profile	Monitor 7.F
AS-i voltage range	18.5 – 31.6 V
AS-i current consumption	< 45 mA
Interface RS 232	9600 Bd, no parity, 1 start bit, 1 stop bit, 8 data bits
Start input	Optocoupler input (high active), input current approx. 10 mA (24 V DC)
Contact control input	Optocoupler input (high active), input current approx. 10 mA (24 V DC)
Safety ON message output <sup>2)</sup>	PNP transistor output, 200 mA, short circuit and reverse voltage protection
Safety output	Volt-free NO contacts, max. contact load: 1 A DC-13 at 24 V DC, 3 A AC-15 at 230 V AC
Fuse	Externally, with 4 A MT max.
Overvoltage category	3, for rated operating voltage 300 V AC to VDE 0110 part 1
Operating temperature	-20 to 60 °C
Storage temperature	-30 to 70 °C
IP protection level	IP 20 (only for use in rooms where electric systems operate/switch cabinet with minimum IP 54)
MTTFd	57 years
Distance between 2 AS-i safety monitors	10 mm
Casing dimensions	45 × 105 × 120 mm
Casing material	Polyamide PA66, black
Fixing	On DIN mounting rail

<sup>1)</sup> When all relays are switched on simultaneously; current for message outputs not taken into consideration

<sup>2)</sup> The Safety ON message output is not safety related

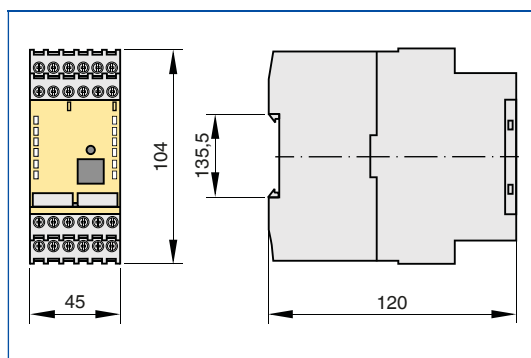
Wiring

Terminal connections of the AS-i safety monitor of TNC-A003S

Terminal	Signal/description
AS-i ±	Connection to the AS-i bus
L+	+24 V DC supply voltage
M	GND reference earth
FE	Functional earth
1.Y1	EDM 1/input feedback circuit, output circuit 1
1.Y2	Start 1/Start input, output circuit 1
1.13	Output switching element 1, output circuit 1
1.14	Output switching element 1, output circuit 1
1.23	Output switching element 2, output circuit 1
1.24	Output switching element 2, output circuit 1
1.32	Safety ON/message output 1, output circuit 1
2.Y1	EDM 2/input feedback circuit, output circuit 2
2.Y2	Start 2/Start input, output circuit 2

Dimensions

AS-i safety monitor TNC-A003S



Specification text

Standard description (characteristics)

- Safety monitor for monitoring data transmission and the AS-i controller, for safety related applications up to SIL 3 to IEC/EN 61508, e.g. for the control of up to 4 smoke control dampers
- Supply voltage: 24 V DC ±15 %
  - AS-i voltage range: 18.5 – 31.6 V
  - AS-i current consumption: < 45 mA
  - Operating temperature: -20 to 60 C°
  - Protection level: IP 20 (only for use in rooms where electric systems operate/switch cabinet with minimum IP54)
  - Make: TROX GmbH or equivalent
  - Type: TNC-A003S



**Description**



TNC-ZB0252

**Application**

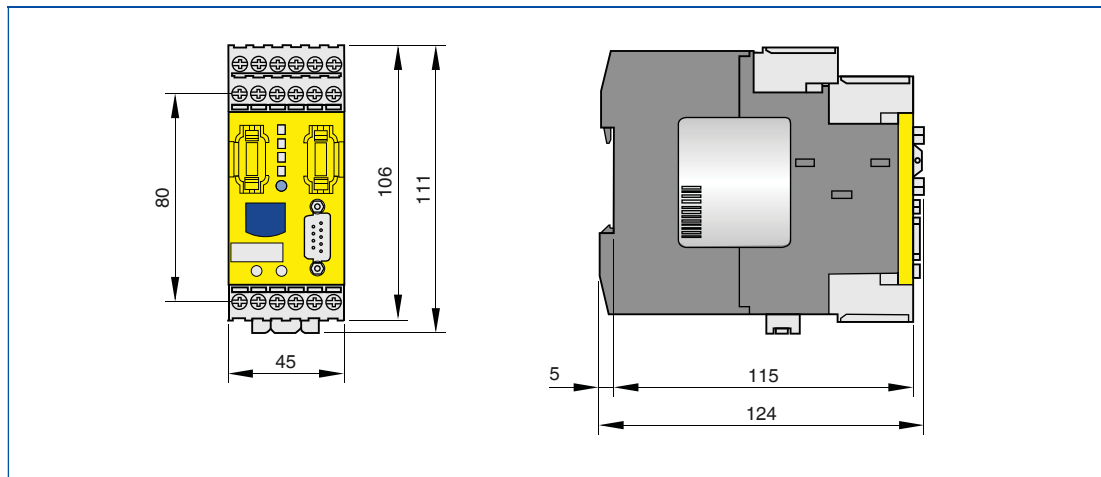
- AS-i gateway TNC-ZB0252/F-Link for monitoring the inputs of safety related binary AS-i slaves
- Compact, safety related gateway between PROFIBUS (DP slave) and AS-Interface
- Core component of 'integrated safety', meant 'to close the gap in bus-based safety technology'
- Monitoring of the inputs of fail-safe binary AS-i slaves (ASIsafe slaves) and data transmission via PROFIsafe. No need for additional safety related components for AS-Interface (e.g. safety monitor)
- AS-i master according to AS-Interface specification V3.0, master profile M4, to connect up to 31 AS-i slaves, with integrated analog value transmission
- Direct integration with PROFIBUS networks. Optional integration with PROFINET networks via PROFINET/PROFIBUS gateway (IE/PB link) or SIMATIC S7-315 F PN/DP
- Optimised TIA integration in STEP 7 via Object Manager, inclusion in engineering tools by third parties via PROFIBUS type file (GSD)
- On-site diagnosis using LEDs and a display with button
- Assembly change without PG since start-up data is transmitted by PROFIBUS DP master

**Technical data**

Description	TNC-ZB0252
Supply voltage	24 V DC
Separate voltage supply	Yes
Current consumption	100 mA
Power loss	3 W
Data interface	PROFIBUS DP; RS 485
Supported protocols	ASIsafe (safety at work) protocol, PROFIsafe protocol, PROFIBUS protocol
No. of AS-i slaves	Up to 62
Bus cycle time with 31 slaves	5 ms
Bus cycle time with 62 slaves	10 ms
Max. acceptable relative humidity	10 - 95 %
Ambient temperature	0 - 50 °C
Storage temperature	-40 to 85 °C
IP protection level	IP 20
MTTF	36 years
AS-i profile	M4
AS-i specification	V 3.0
Safety integrity level	SIL3 to IEC 61508
Casing dimensions (B x H x T)	45 x 111 x 124 mm
Fixing	On DIN mounting rail

Dimensions

AS-i gateway TNC-ZB0252



Specification text

**Standard description (characteristics)**

AS-i safety gateway for monitoring the inputs of safety related binary AS-i slaves and for data transmission via PROFIsafe. Direct integration with PROFIBUS networks via PROFIBUS type file (GSD). Connection of up to 20 AS-i safety modules AS-EM/SIL2.

- Supply voltage: 24 V DC
- Current consumption: 100 mA
- Operating temperature 0 to 50 °C
- IP protection level: IP 20
- Make: TROX GmbH or equivalent
- Type: TNC-ZB0252

**Description**



TNC-Z0119

**Application**

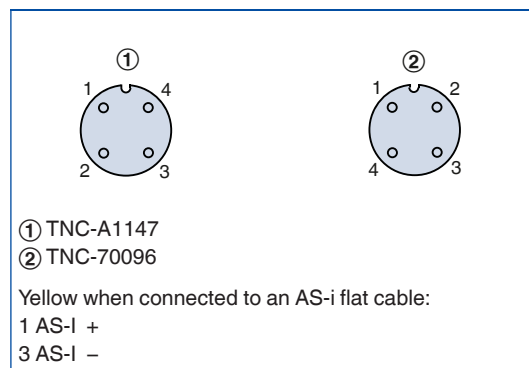
- Passive bus termination
- Cable extension up to 200 m without additional repeater
- Improved signal quality
- Supply voltage monitoring with 2 LEDs
- Connection to AS-i cable with flat cable connector
- Can only be used when actuators have a separate voltage supply

**Technical data**

Description	TNC-Z0119 (TNC-A1147 + TNC-70096)
Type	TNC-A1147
Supply voltage	26.5 – 31.6 V DC
Current consumption	< 10 mA
Galvanically isolated	Yes
Status LED	Yellow = AS-i voltage > 18.5 V; green = AS-i voltage > 26 V
Ambient temperature	-25 to 70 °C
IP protection level	IP 67
MTTF	550 years
Connection	Flat cable insulation displacement connector
Note	No addressing required
Type	TNC-70096
Max. current load	2 A
Ambient temperature	-25 to 75 °C
IP protection level	IP 67
Casing material	PA
Note	No addressing required

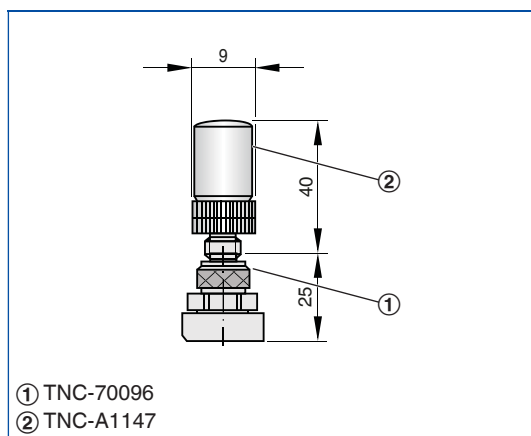
**Wiring**

**Connecting cable core identification  
TNC-Z0119**



Dimensions

AS-i passive bus termination TNC-Z0119



Specification text

**Standard description (characteristics)**

- Passive bus termination (TNC-A1147) with flat cable connector (TNC-70096) to make a connection to the AS-i flat cable. Bus termination to improve the signal quality and to extend the AS-i cable network. Cable extension up to 200 m.
- Supply voltage: 26.5 – 31.6 V DC
  - Current consumption: < 10 mA
  - Max. current load: 2 A
  - Ambient temperature: –25 to 70 C°
  - IP protection level: IP 67
  - Make: TROX GmbH or equivalent
  - Type: TNC-Z0019

# TROXNETCOM

## Basic information and nomenclature



- Communication systems for fire protection systems
- Colour codes according to IEC 60757
- AS-Interface
- LON

### Description

Information and communication are becoming more and more important in today's world. People not only want more information, they also want more detailed information. This development is also visible in building automation, and there is no end in sight. A building becomes 'transparent' through distributed intelligence and new decentralised communication systems.

These new technologies allow us to develop bespoke system solutions for various building services and to integrate them with building management systems. In this way, the best solutions for the different building services can be combined to create the best possible overall solution. Decentralised communication systems offer you the most advanced technology for your application requirements.

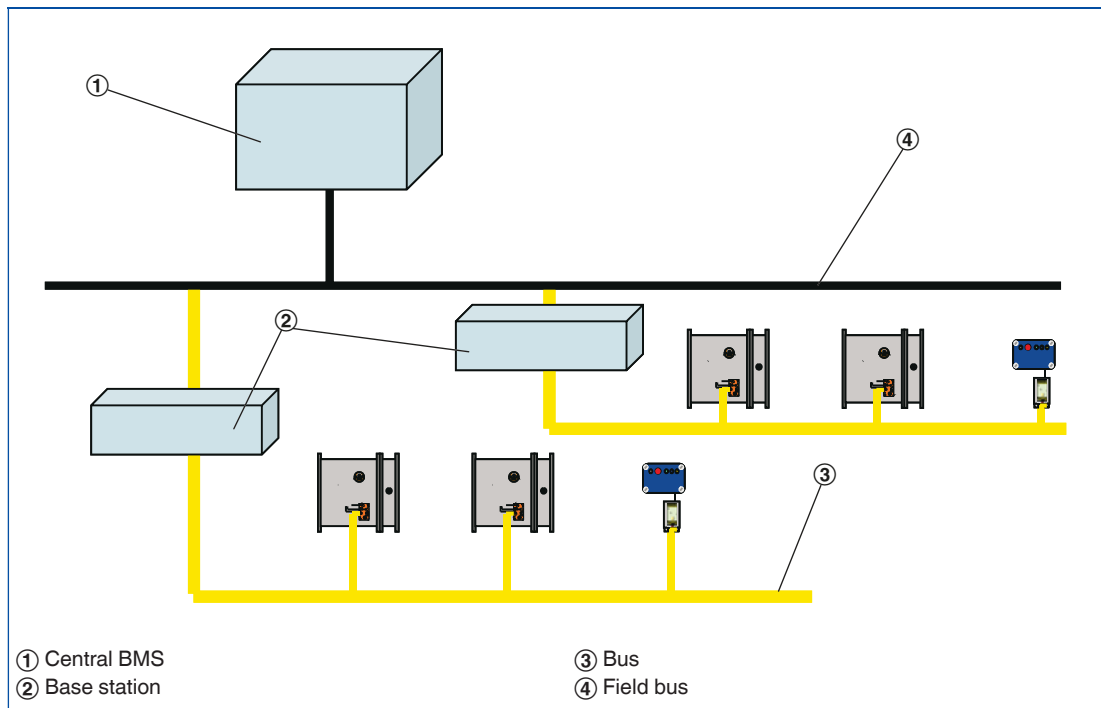
### Communication systems for fire protection systems

The functional safety of programmable electronic systems is becoming more and more important in fire protection and is implemented with regard to protection goals and risks. According to IEC 61508, the requirements for these systems are based on a risk analysis. Components are given an SIL rating (safety integrity level) and must meet the corresponding requirements to ensure safety even in case of a malfunction.

### General advantages of decentralised bus systems

It is no longer necessary to wire every single actuator and every single controller. Modern bus systems only need one bus cable, and in some cases a supply cable, to connect all components. This saves not only installation time but also cables, connectors, terminal blocks, and control cabinet space. It also drastically reduces the fire load and the installation costs. All signals from all components on a bus can be retrieved and recorded by the central unit. Inspection is simplified, and measurement and control can be optimised.

### Communications system



### Wiring

#### Colour codes according to IEC 60757

Code	Colour
BK	black
BN	brown
RD	red
OG	orange
YE	yellow
GN	green
BU	blue

#### Colour codes according to IEC 60757

Code	Colour
VT	violet
GY	grey
WH	white
PK	pink
TQ	turquoise
GNYE	green-yellow

### Description

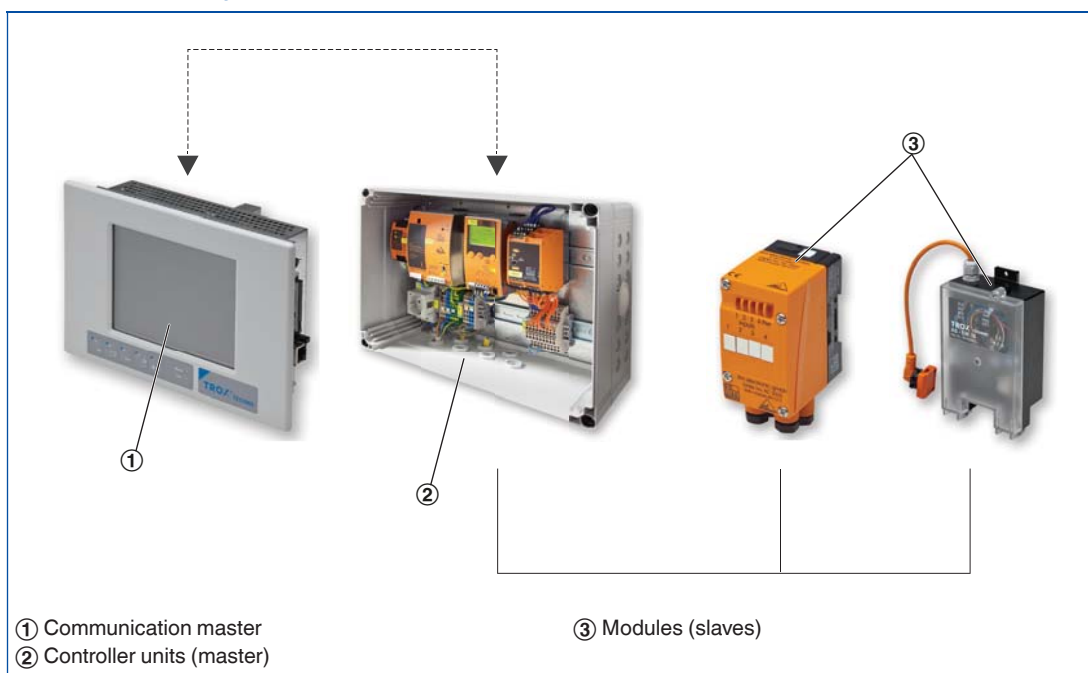
The AS interface is a world-standard bus system according to EN 50295 and IEC 62026-2. It enables the integration of different components (modules) in a network regardless of the manufacturer and the design. The modules control actuators and/or receive signals from sensors. TROX provides a system for controlling fire dampers, smoke protection dampers and smoke control dampers based on the AS-i standard. TROX modules are characterised by a wide spectrum of functions yet simple cabling.

### Special characteristics

- Data exchange and power supply with just one cable
- Central control of actuators and monitoring of damper blade positions and duct smoke detectors
- Simple commissioning using standardised software
- Automatic function test including data logging

### The system

#### Communications system



The communication master is the central display and control panel for the entire system.

- Connection of up to 28 controller and power units
- Display of operating status
- Operation of actuators
- Menu-driven operation in case of errors or malfunctions
- System configuration at the time of commissioning
- Logging of function tests and error messages

The controller and power unit combines the control functions, the power supply, and the data exchange for all components on the bus.

- The controller and power unit is installed near the modules, e.g. as a floor distributor
- With TNC Basic User Software for fire and smoke protection
- Communication interface to higher level systems (BACnet/Modbus)
- Display, also for operation
- Units with: 1 master – for 31 modules, 2 masters – for 62 modules

The modules establish the link between the measurement and control signals (sensors and actuators) and the network on the so-called field level. A module provides the supply voltage for the operation of actuators.

- Modules can be part of a fire damper or used separately to connect one or more fire dampers
- Integrated monitoring function, e.g. for running time
- Connection to the bus cable is with a flat cable insulation displacement connector

### Description

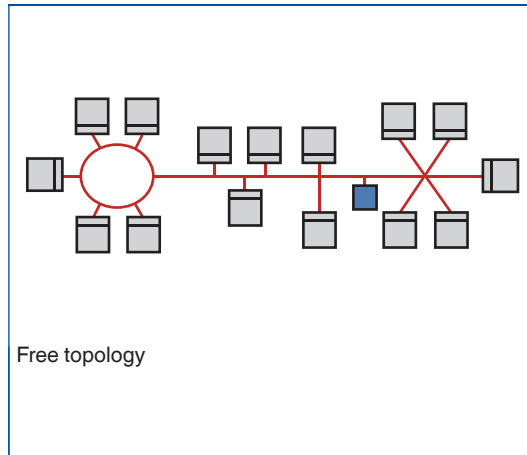
LON indicates a standard local operating network system with manufacturer-independent communications. Data is transferred by a microprocessor supplied by Echelon Corporation using a unified protocol. LonMark defines standards to ensure product compatibility. TROX offers components that meet LON standards. TROX modules are characterised by a wide spectrum of functions yet simple cabling.

### Special characteristics

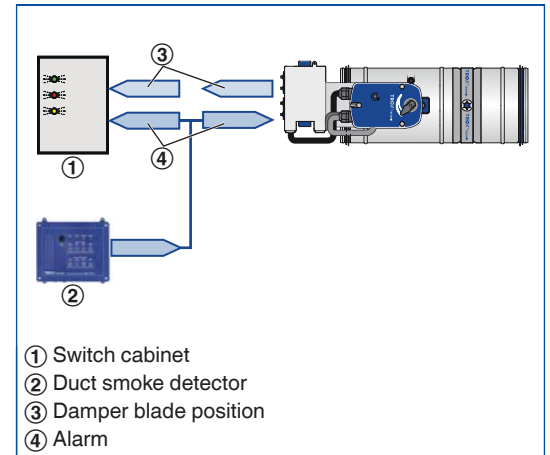
- Data exchange and power supply can be achieved with just one cable
- Decentralised structure with high operational reliability
- Standardised data transfer
- Manufacturer-independent compatibility

### The system

#### Network topology



#### Binding network variables



#### Network

The local operating level (subnet) consists of the modules (nodes) and free topology data cables. A subnet can consist of up to 64 nodes or, alternatively, can be extended to 128 nodes using a repeater or router. Physical data transfer is via systems with or without a transfer of supply voltage. All nodes of a subnet must comply with the system. In larger networks the routers link the subnets with each other. The routers communicate with each other via the backbone, on a separate network level. Central monitoring of a LON network is possible and is connected to the backbone or above it.

#### Data exchange

Network variables are used for the communication between the nodes. These variables ensure unambiguous data exchange between the nodes. For commissioning, it is necessary to link the network variables between the nodes (binding). Project software is used to link the outputs of a node to the inputs of other nodes. Binding information is transferred to the subnet. Binding is carried out by a system integrator.