



# Circular silencer

CF

**TROX GmbH**

Heinrich-Trox-Platz  
47504 Neukirchen-Vluyn, Ger-  
many  
Germany  
+49 (0) 2845 202-0  
+49 (0) 2845 202-265  
E-mail: trox@trox.de  
www.troxtechnik.com

## Product overview

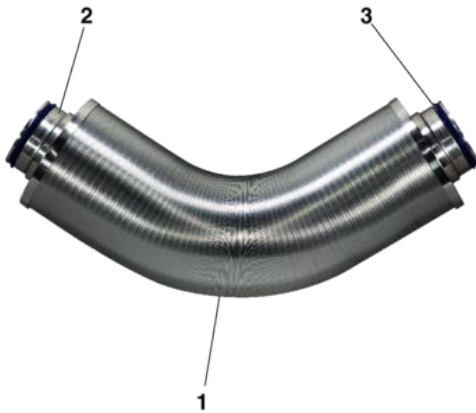


Fig. 1: Schematic illustration, CF

- 1 Casing of the silencer
- 2 Spigot
- 3 Lip seal

## Important notes

### Safety

#### Correct use

Circular silencers are used to reduce noise in the circular ducts of ventilation and air conditioning systems within closed rooms.

For the reduction of air-regenerated noise of air terminal units and mechanical self-powered controllers, etc.

Do not use circular silencers in extract air systems in commercial kitchens unless the extract air has been cleaned as much as possible with high-efficiency aerosol separators; see VDI 2052.

## Incorrect use

**WARNING!****Danger of injury or risk of damage to property due to incorrect use**

Incorrect use of the circular silencer can lead to dangerous situations.

Never use the circular silencer:

- outdoors without sufficient protection against the effects of weather
- in rooms and systems with aggressive or contaminated air (to be assessed on a case to case basis)
- in process air systems

Modifying the unit or using replacement parts that have not been approved by TROX is not permitted.

## Staff

### Qualification

The work described in this manual has to be carried out by individuals with the qualification, training, knowledge and experience described below:

### Specialized personnel

Specialised personnel are personnel, who due to their specialized training, skills, and experience, as well as knowledge of the applicable standards and regulations, are capable of executing the tasks assigned to them, and of recognizing possible hazards and avoiding them on their own.

## Personal protective equipment

Personal protective equipment is equipment that protects the user against health or safety risks at work.

Personal protective equipment must be worn for various types of work; the protective equipment required is listed in this manual together with the description of each type of work.

## Description of personal protective equipment

### Industrial safety helmet



Industrial safety helmets protect the head from falling objects, suspended loads, and the effects of striking the head against stationary objects.

### Protective gloves



Protective gloves protect hands from friction, abrasions, punctures, deep cuts, and direct contact with hot surfaces.

### Safety shoes



Safety shoes protect the feet against crushing, falling parts, and from slipping on slippery ground.

## Repair and replacement parts

Only qualified personnel must repair the products, and they have to use genuine replacement parts.

## Transport, storage and packaging

### Delivery check

Check delivered items immediately after arrival for transport damage and completeness. In case of any damage or an incomplete shipment, contact the shipping company and your supplier immediately.

### Transport on site

Please note:

- Be careful when unloading or moving the product, and pay attention to the symbols and information on the packaging.
- If possible, take the product in its transport packaging up to the installation location.
- Use only lifting and transport gear designed for the required load.
- Always secure the load against tipping and falling.
- Do not move bulky items just by yourself. Get help to prevent injuries and damage.

### Storage

Please note:

- Store the product only in its original packaging
- Protect the product from the effects of weather
- Protect the product from humidity, dust and contamination
- Storage temperature: -30 °C to 90 °C.
- Relative humidity: 80 % max., no condensation

### Packaging

Properly dispose of packaging material.

## Installation

### General installation information

#### Personnel:

- Specialized personnel

#### Protective equipment:

- Protective gloves
- Industrial safety helmet
- Safety shoes



#### **CAUTION!**

##### **Danger of injury from sharp edges, sharp corners and thin sheet metal parts!**

Sharp edges, sharp corners and thin sheet metal parts may cause cuts or grazes.

- Be careful when carrying out any work.
- Wear protective gloves, safety shoes and a hard hat.

#### **Please note:**

- Horizontal or vertical installation orientation.
- Duct connection on both sides.
- Installation in ducts outside closed rooms requires sufficient protection against the effects of weather.
- Length (L) refers to the airflow direction.
- Installation material is not part of the supply package unless stated otherwise.
- Airflow direction freely selectable.
- Torsion-free installation.

## Installation information for circular silencer

### General installation information

- When designing and constructing ventilation and air conditioning systems, take into account the requirements of VDI6022, in particular:
  - Hygienic, clean installation of all components and their air distribution surfaces
  - Inspection and cleaning options by planning inspection/cleaning openings in the ducting system
  - Avoidance of leaks
- Affix the circular silencer proficiently and only to load-bearing components.
- Load suspension systems only with the weight of the circular silencer. Adjacent components and connecting ducts must be supported separately.
- Only use approved and sufficiently dimensioned suspensions for fixing. Secure screw connections against self-loosening, e.g., by locking them. Fixing material is not included in the supply package.
- Use only the shortest possible self-tapping screws in the vicinity of the spigot for fixing
- The smallest permissible bending radius of the circular silencer is  $3 \times \text{outer diameter } \varnothing D_3$

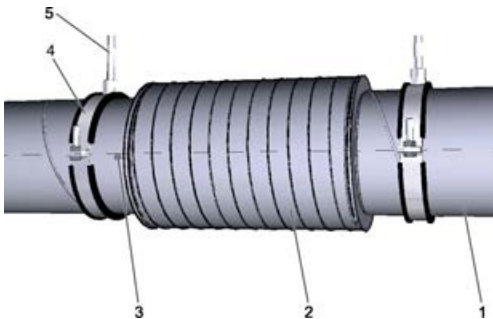


Fig. 2: Installation example for circular silencer

- 1 Duct
- 2 Circular silencers
- 3 Drilling screw for affixing to the ducting
- 4 Pipe clamp
- 5 Suspension, e.g. with threaded rod

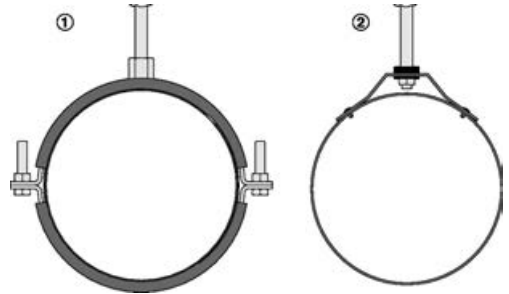


Fig. 3: Examples of fixings for circular units

- 1 Fixing to pipe clamps
- 2 Fixing to suspension element

- When installing the circular silencer, choose a load-bearing structure that will support the entire weight of the circular silencer construction.
- The weight of the circular silencer must not be supported by the spigots or flanges alone.
- Tension-free assembly
- Structure-borne sound transmission must be avoided by taking suitable measures.
- Installation in ducts outside closed rooms requires sufficient protection against the effects of weather
- Take standard DIN EN 12236 into consideration (suspensions and supports for air ducts)

### Assembly to control components

Circular silencers without splitters can be used for the reduction of air-regenerated noise of air terminal units and mechanical self-powered controllers. Installation can be carried out without a minimum distance to the control component.

### Connecting the air duct

When connecting the ducting, the customer must ensure that the connection points are installed as air-tight as possible in order to avoid negative influences from leakages such as air volume deviations, power consumption, etc. Unless otherwise stated, the connecting material is not included in the supply package.

Before connecting the ducting:



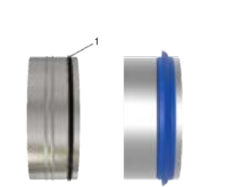
- Check the inside of the unit for damage and loose parts.
- Remove any contamination from the ducting.

**Leakage classes**

In order to be able to achieve the required tightness of the duct system, it is necessary that suitable sound attenuators and duct components have been selected. In addition, the following should be observed:

- Proper and expert assembly
- Provide seals
- Establish the cable fastening (suspension/support)

**Circular ducting – metal**

	<p>Spigot without lip seal</p> <ul style="list-style-type: none"> <li>■ Plug-in mounting on ducting in accordance with EN 1506 or EN 13180.</li> <li>■ Fixing and sealing with ventilation strip, e.g., KLP180. When using heat-shrinkable tape near the spigot, watch out for plastic parts of other components and heat carefully.</li> </ul>
	<p>Spigot with optional lip seal</p> <ul style="list-style-type: none"> <li>■ Plug-in mounting on ducting in accordance with EN 1506 or EN 13180.</li> <li>■ Connect the spigot with the ducting, e.g., using drilling screws.</li> <li>■ No further sealing required.</li> </ul>
	<p>Retrofitting of lip seals</p> <ul style="list-style-type: none"> <li>■ Double lip seal: Fit the short lip (1) on the connection side</li> <li>■ Fit the ring seal as shown; avoid excessive stretching</li> <li>■ Check for proper seating in the groove</li> <li>■ Apply talcum around the ring seal</li> </ul>

**Technical data**

**General data**

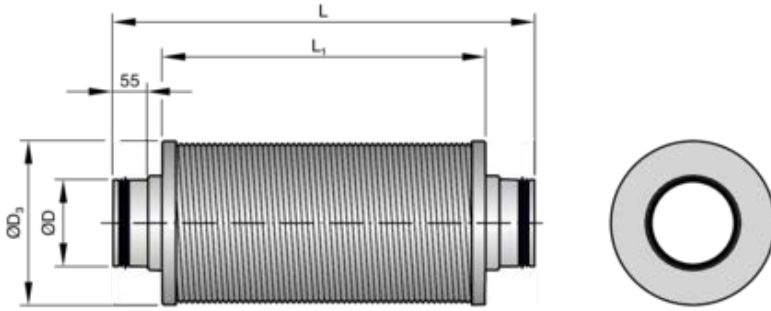
Item	Value
Nominal sizes	80 - 400 mm
Operating pressure	Minimum -750 Pa 2000 Pa max.
Airflow velocity	≤ 20 m/s

\* No corrosion resistance according to ISO 12944-2 has been specified for circular silencers.

Item	Value
Air temperature	-30 °C to 90 °C
Relative humidity	≤ 80%, no condensation
Casing leakage according to EN 15727	Class D
Materials of circular silencer*	AlMg3 (aluminium)

\* No corrosion resistance according to ISO 12944-2 has been specified for circular silencers.

**Dimensions and weights CF**



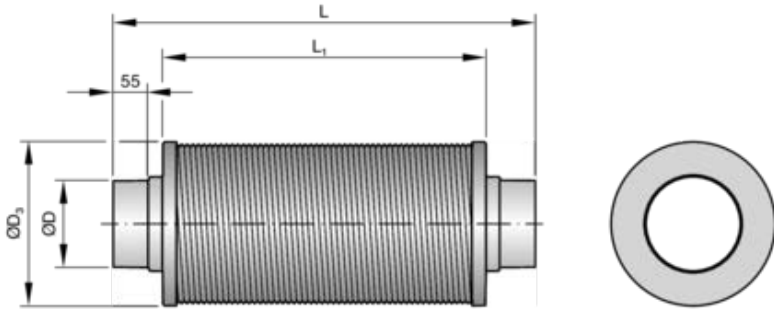
**Dimensions**

nominal size	ØD	ØD3 (CF-025)	ØD3 (CF-050)
	[mm]		
80	79	135	192
100	99	160	212
125	124	191	236
160	159	221	271
200	199	261	311
250	249	311	366
315	314	376	426
400	399	461	511

**Lengths**

Nominal length	L	L1
	[mm]	
500	650	500
1000	1150	1000
1500	1650	1500
2000	2150	2000

CF.../AS2



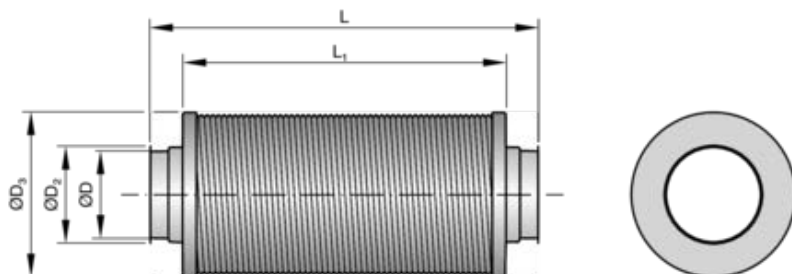
Dimensions

nominal size	ØD	ØD3 (CF-025)	ØD3 (CF-050)
	[mm]		
80	80	135	192
100	100	160	212
125	125	191	236
160	160	221	271
200	200	261	311
250	250	311	366
315	315	376	426
400	400	461	511

Lengths

Nominal length	L	L1
	[mm]	
500	650	500
1000	1150	1000
1500	1650	1500
2000	2150	2000

CF/.../BK2



Dimensions

nominal size	ØD	ØD2	ØD3 (CF-025)	ØD3 (CF-050)
	[mm]			
80	79	93	135	192
100	99	113	160	212
125	124	138	191	236
160	159	173	221	271
200	199	213	261	311
250	249	263	311	366
315	314	328	376	426
400	399	413	461	511

Lengths

Nominal length	L	L1
	[mm]	
500	638	500
1000	1138	1000
1500	1638	1500
2000	2138	2000

Weights

nominal size	CF025				CF050			
	500	1000	1500	2000	500	1000	1500	2000
80	1	1	2	2	1	2	2	3
100	1	1	2	2	1	2	3	3
125	1	2	2	3	1	2	3	4
160	1	2	3	3	1	2	3	4



nominal size	CF025				CF050			
	500	1000	1500	2000	500	1000	1500	2000
200	1	2	3	4	2	3	4	5
250	2	3	4	5	2	4	5	6
315	2	3	5	6	2	4	6	7
400	3	4	6	7	3	5	7	9

## Commissioning

### Commissioning and operation

#### Personnel:

- Specialized personnel
  - ▶ Before you start commissioning:
    - Check proper installation of the circular silencers.
    - Ensure that all sound attenuators are clean and free from residues and foreign matter.

## Commissioning



### **Code of good practice for commissioning**

*Commissioning is governed by the standard "DIN EN 12599 Testing and measuring procedures for the transfer of installed ventilation and air conditioning systems", and, if applicable, contractually agreed services between HVAC contractors, system owners and installation engineers. The standard describes the essential commissioning steps of the completeness check, function check, function measurement as well as report generation and handover.*

## Operation

Once commissioning has been completed, the circular silencer will operate in a self-powered manner and require no intervention from the system owner.

Depending on the area of application of the circular silencer, test specifications and intervals may have to be observed.

## Maintenance

### System owner's responsibility



#### **WARNING!**

**Only authorised specialist personnel are allowed to perform the described maintenance measures.**

The system owner is responsible for maintenance. The system owner is responsible for creating a maintenance plan, for defining the maintenance goals, and for the functional reliability of the equipment.

The legal regulations must be observed during maintenance, e.g. the system owner is responsible for hygienic operation in accordance with VDI 6022.

## Maintenance

The circular silencers are low-maintenance in terms of wear, but they must be included in the regular cleaning of the ventilation system. Regular care and maintenance ensure long service life of the circular silencer.

### Inspection measures

1. ▶ Remove contamination that affects the function of the circular silencer.
2. ▶ Check all screws for firm seating and retighten them, if necessary.
3. ▶ Document the maintenance work.

### Repair

Repair work is only allowed to be carried out by specialist personnel or by the manufacturer. Only genuine replacement parts must be used.

Disposal

 ENVIRONMENT!

**Risk of harm to the environment due to incorrect disposal of goods and packaging!**

Incorrect disposal can harm the environment.

- Be sure to comply with the relevant national guidelines and regulations.
- If you are not sure how to dispose of anything in an environmentally friendly manner, contact your local authorities or a specialist disposal company.

**Note:** The sound attenuator has to be disassembled for disposal.

If no take back (disposal) agreement with TROX GmbH is in place, we recommend disposing of the various materials as described below:

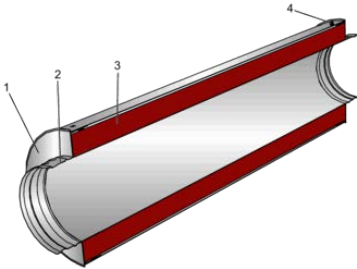


Fig. 4: Schematic illustration of the circular silencer

No.	Part	Material/ waste disposal code	Disposal
1	Casing, inner duct and spigot	Aluminium EAK 170402	Scrap and metal recycling
2	Lip seal, cover fleece	Plastic EAK 170203	According to EAK
3	Absorption material	Mineral wool EAK 170604	According to EAK
4	Adhesive tape	Waste plastic EAK 150102	According to EAK

EWC European Waste Catalogue