

Z-LVS

TYPE Z-LVS

FOR SUPPLY AIR

Circular disc valves with manually adjustable annular gap

- Nominal sizes 100, 125, 160, 200 mm
- Volume flow rate range 10 – 90 l/s or 36 – 324 m³/h
- Diffuser face made of galvanised sheet steel, powder-coated
- For variable and constant volume flows
- For ceiling and wall installation
- Easy to install
- Volume flow rate balancing by simply turning the valve disc
- Inexpensive solution for small rooms

Application



Application

- Type Z-LVS disc valves are used as supply air devices in small rooms
- Horizontal radial supply air discharge
- For variable and constant volume flows
- For room heights up to 4 m (lower edge of suspended ceiling)
- For walls and suspended ceilings

Special characteristics

- Continuous volume flow rate balancing by turning the valve disc
- Easy to install

Nominal sizes

- 100, 125, 160, 200

Description



Parts and characteristics

- Valve disc with threaded spindle and lock nut
- Valve casing including cross bar with orifice for the threaded spindle
- Installation subframe that accommodates the disc valve

Materials and surfaces

- Valve casing and valve disc made of galvanised sheet steel
- Installation subframe, cross bar, threaded spindle and lock nut made of galvanised steel
- Foam seal
- Valve casing and valve disc powder-coated RAL 9010, pure white

Standards and guidelines

- Sound power level of the air-regenerated noise measured according to EN ISO 5135

Maintenance

- Maintenance-free as construction and materials are not subject to wear
- Inspection and cleaning to VDI 6022

TECHNICAL INFORMATION

Function, Technical data, Quick sizing, Specification text, Order code



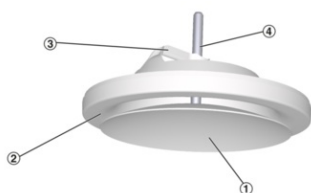
Functional description

Supply air valves direct the air from air conditioning systems into the room. The resulting airflow induces high levels of room air, thereby rapidly reducing the airflow velocity and the temperature difference between supply air and room air. The result is a mixed flow ventilation in comfort zones, with good overall room ventilation, creating only very little turbulence in the occupied zone.

Type Z-LVS disc valves have a valve disc that can be turned. Horizontal air discharge is radial.

This valve disc facilitates volume flow rate balancing for commissioning.

Schematic illustration



- ① Valve disc
- ② Valve casing
- ③ Cross bar
- ④ Threaded spindle with lock nut

Horizontal air discharge



Nominal sizes	100, 125, 160, 200 mm
Minimum volume flow rate	10 – 30 l/s or 36 – 108 m³/h
Maximum volume flow rate	25 – 90 l/s or 90 – 324 m³/h

Quick sizing tables provide a good overview of the volume flow rates and corresponding sound power levels and differential pressures.

Z-LVS/100, Z-LVS/125, sound power level and total differential pressure

Nominal size	V		Gap width					
			12 mm		10 mm		8 mm	
Nominal size	V		Δp_t	L _{WA}	Δp_t	L _{WA}	Δp_t	L _{WA}
	l/s	m³/h	Pa	dB(A)	Pa	dB(A)	Pa	dB(A)
100	10	36	9	<15	11	<15	14	<15
	15	54	20	23	24	24	32	27
100	20	72	35	31	42	33	57	36
	25	90	54	38	66	40	89	43
125	10	36	5	<15	7	<15	11	<15
	15	54	10	<15	15	<15	24	17
125	20	72	18	17	27	21	43	26
	25	90	28	23	43	28	67	33

Z-LVS/160, Z-LVS/200, sound power level and total differential pressure

Nominal size	V		Gap width					
			20 mm		15 mm		10 mm	
Nominal size	V		Δp_t	L _{WA}	Δp_t	L _{WA}	Δp_t	L _{WA}
	l/s	m³/h	Pa	dB(A)	Pa	dB(A)	Pa	dB(A)
160	20	72	5	<15	8	<15	22	19
	30	108	11	<15	19	21	49	32
160	40	144	20	24	34	30	87	42
	50	180	31	31	53	38	135	49
200	30	108	4	<15	8	<15	14	<15
	50	180	12	<15	21	19	40	26
200	70	252	24	25	41	30	78	36
	90	324	40	33	68	38	129	44

Circular disc valves as supply air devices, preferably for small rooms. For installation into walls and suspended ceilings.

Ready-to-install component which consists of a valve casing with cross bar, a valve disc with threaded spindle, and an installation subframe.

The valve disc can be turned for volume flow rate balancing. The valve setting can be fixed with a lock nut.

Spigot suitable for ducts to EN 1506 or EN 13180.

Sound power level of the air-regenerated noise measured according to EN ISO 5135.

Special characteristics

- Continuous volume flow rate balancing by turning the valve disc
- Easy to install

Materials and surfaces

- Valve casing and valve disc made of galvanised sheet steel
- Installation subframe, cross bar, threaded spindle and lock nut made of galvanised steel
- Foam seal
- Valve casing and valve disc powder-coated RAL 9010, pure white

Technical data

- Nominal sizes: 100, 125, 160, 200 mm
- Minimum volume flow rate: 10 – 30 l/s or 36 – 108 m³/h
- Maximum volume flow rate: 25 to 90 l/s or 90 to 324 m³/h

Sizing data

- V _____ [m³/h]

This specification text describes the general properties of the product. Texts for variants can be generated with our Easy Product Finder design programme.

Order example: Z-LVS/160

Nominal size	160
--------------	-----

Z-LVS / 160



1 Type

Z-LVS Extract air valve

2 Nominal size [mm]

100
125
160
200

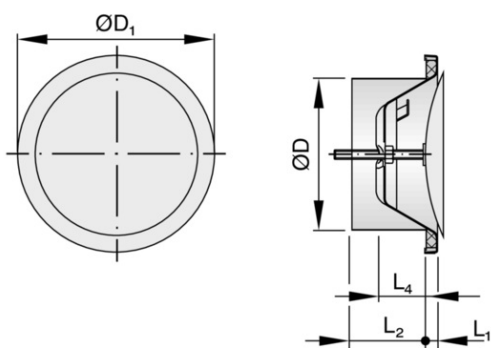
Dimensions and weight



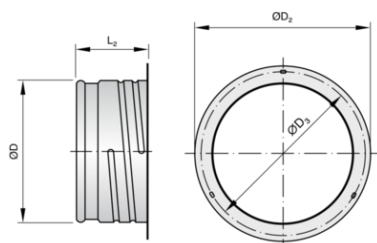
Z-LVS

Nominal size	ØD_1 mm	L_1 mm	L_2 mm	L_4 mm	ØD mm	ØD_2 mm	ØD_3 mm	m kg
100	132	8	50	32	99	122	114	0.23
125	162	9	50	38	124	148	140	0.32
160	192	10	50	43	159	184	176	0.50
200	245	11	50	52	199	225	217	0.67

Z-LVS



Installation subframe for LVS and Z-LVS



Installation examples, Installation details, Commissioning, Basic information and nomenclature



Installation in T-bar ceilings



Installation and commissioning

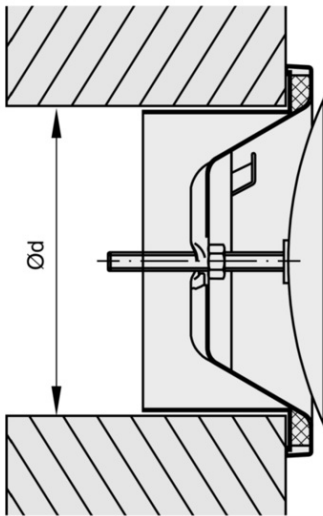
- Preferably for rooms with a clear height up to 4.0 m
- Installation flush with the wall or ceiling
- Perform volume flow rate balancing by turning the valve disc, then tighten the lock nut to fix the valve disc in the required position

These are only schematic diagrams to illustrate installation details.

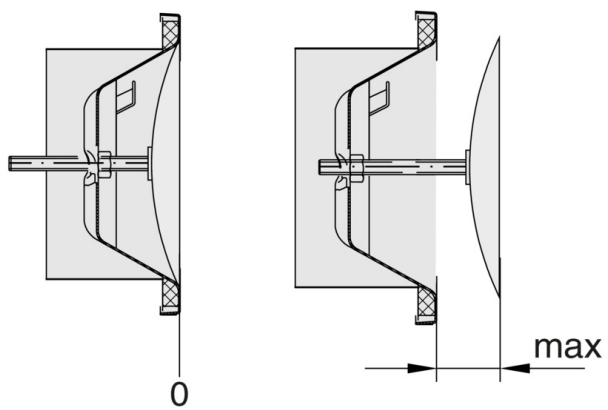
Installation opening

Nominal size	Ød mm
100	104
125	129
160	164
200	204

Installation flush with the wall or ceiling, with installation subframe



Adjustment range



Nominal size 100: max = 12 mm
Nominal size 125: max = 15 mm
Nominal size 160, 200: max = 20 mm

Principal dimensions

ØD [mm]

Outer diameter of the spigot

ØD₁ [mm]

Outer diameter of the diffuser face

L₁ [mm]

Length of the face cover ring

L₂ [mm]

Installed length

m [kg]

Weight

Nomenclature

L_{WA} [dB(A)]

A-weighted sound power level of air-regenerated noise

V [m³/h] and [l/s]

Volume flow rate

Δt_z [K]

Supply air to room air temperature difference

Δp_t [Pa]

Total differential pressure

All sound power levels are based on 1 pW.

TROX UK Ltd



Caxton Way,
Thetford, Norfolk, IP24 3SQ, UK
Tel: +44 (0) 1842 754545
Fax: +44 (0) 1842 763051

General Enquiries –
info@troxuk.co.uk
Sales & Customer Services – sales@troxuk.co.uk
Accounts –
accounts@troxuk.co.uk

Online-Services

- › [TROX Academy](#)
- › [Your contact partner](#)
- › [Our Office London](#)
- › [Our Office Thetford](#)

Service-Hotlines

Sales:
+44 (0)1842 754545
[Contact](#)

Service:
+44 (0)1842 754545
[Contact](#)

Technical service
+44 (0)1842 754545
[Contact](#)

TROX SOCIAL MEDIA