



ACTUATOR LM24A-SR

TYPE MODULATING ACTUATORS

FOR MOVING THE DAMPER BLADES OF SHUT-OFF DAMPERS TO ANY POSITION

Modulating actuators for Type AK or AKK shut-off dampers

- Various damper blade positions
- Supply voltage 24 V AC/DC
- Control input signal: Voltage signal 2 – 10 V
- Mechanical stops
- Retrofit possible

Application ^

Application

- Actuators for variable adjustment
- For moving the damper blades of Type AK and AKK shut-off dampers to any position

Description v

Parts and characteristics

- Mechanical stops for limiting the damper blade positions
- Supply voltage 24 V AC/DC
- Overload protection
- Setpoint value signal 2 – 10 V DC
- Release button to allow for manual operation

TECHNICAL INFORMATION

Function, TECHNICAL DATA, Produktbeziehungen ^

Functional description

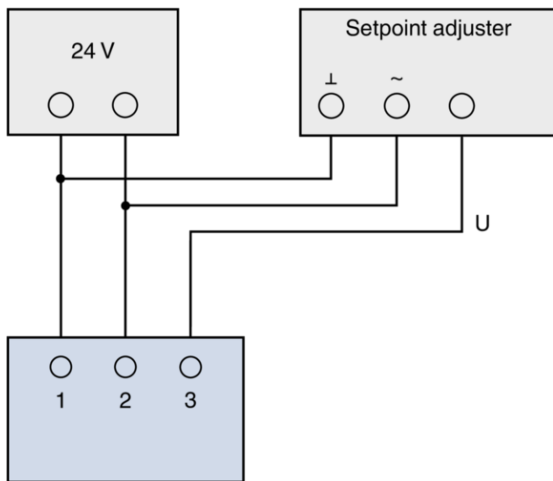
The actuator moves the blade of a shut-off damper to any position between the OPEN and CLOSED positions.

The control input signal is a voltage signal.

Control options and effect of actuator action in case of factory setting

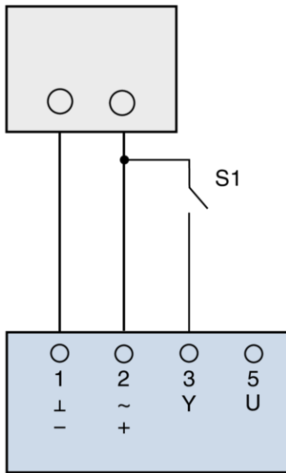
Order code detail	Function	Control	Direction of rotation	
			1	2
B20	Variable	Variable control		
	Open/close	1-wire control, 2-wire control	OPEN	CLOSED

Variable control initiated by a voltage signal



U Voltage signal 0 – 10 V DC or 2 – 10 V DC

1-wire control for modulating actuators

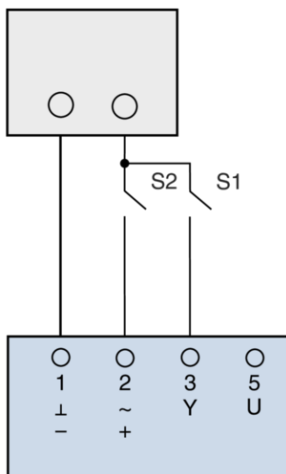


Switch functions

S1 open: Direction of rotation 1

S1 closed: Direction of rotation 2

2-wire control (3-point) for modulating actuators



Switch functions

S1 open

S2 open: Actuator has stopped (any position)

S2 closed: Direction of rotation 1

S1 closed

S2 open: Actuator has stopped (any position)

S2 closed: Direction of rotation 2

Actuators LM24A-SR and LM24A-SR-F

Supply voltage (AC)	24 V AC ± 20 %, 50/60 Hz
Supply voltage (DC)	24 V DC ± 20 %
Power consumption – load	1 W
Power consumption – idle	0.4 W
Power rating	2 VA
Torque	5 Nm
Running time for 90°	150 s
Position feedback	2 – 10 V DC, 1 mA
Control signal	2 – 10 V DC, R _a > 100 kΩ
Connecting cable	4 × 0.75 mm ² , 1 m long
IEC protection class	III (protective extra-low voltage)
Protection level	IP 54
EC conformity	EMC to 2014/30/EU, RoHS to 2011/65/EU
Operating temperature	–30 to 50 °C
Weight	0.5 kg

Variants



Any attachments are to be defined with the order code of the shut-off damper.

B20

Application

- Actuator LM24A-SR
- Stepless adjustment as well as opening and closing of shut-off dampers

Parts and characteristics

- Supply voltage 24 V AC/DC
- Control input signal: Setpoint value signal 2 – 10 V DC, corresponds to the total rotation range (90°), working range is limited by mechanical stops
- Output: Position feedback 2 – 10 V
- Mechanical stops
- Direction of action can be reversed
- Release button to allow for manual operation

Actuators for the variable adjustment of shut-off dampers

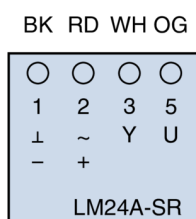
Order code detail	Actuator		Supply voltage
	Part number	Type	Supply voltage
B20	M466DT6 with M536AJ4	LM24A-SR	24 V

Actuator LM24A-SR





LM24A-SR, connecting cable core identification



1 ⊥, -: Ground, neutral
2 ~, +: Supply voltage
3 Y: Setpoint value signal
5 U: Position feedback

LM24A-SR and LM24A-SR-F

TROX UK Ltd



Caxton Way,
Thetford, Norfolk, IP24 3SQ, UK
Tel: +44 (0) 1842 754545
Fax: +44 (0) 1842 763051

General Enquiries –
info@troxuk.co.uk
Sales & Customer Services – sales@troxuk.co.uk
Accounts –
accounts@troxuk.co.uk

Online-Services

- > TROX Academy
- > Your contact partner
- > Our Office London
- > Our Office Thetford

Service-Hotlines

Sales:
+44 (0)1842 754545
[Contact](#)
Service:
+44 (0)1842 754545
[Contact](#)
Technical service
+44 (0)1842 754545
[Contact](#)

TROX SOCIAL MEDIA