



U-tube manometer and pressure controller

- » Display of the differential pressures of gaseous media
- » Mechanical and electronic measuring devices



Content overview

U-tube manometer	2
Pressure controller	2

U-tube manometer / Pressure controller

Details of the U-tube manometer



U-tube manometer

- » **Application**
Display of the differential pressures of gaseous media
- » **Equipment**
 - Profiled plastic carrier with adjustable scale.
 - Measuring tube made of acrylic glass.
- » **Measuring fluid**
Water or liquid mixture with low levels of vaporisation to be ordered separately.

Technical data

U-tube manometer

Parameters	Value
Measuring range	0 to +1000 Pa
Dimensions of casing (B x H)	45 x 180 mm
Order number	M536AD4

Table 1: Technical data and order number of the U-tube manometer

Measuring fluid

Parameters	Value
Liquid mixture	low level of vaporisation (blue)
Frost-proof	Up to -15°C
Density	1.0 kg/dm ³
Order number	M537EA0

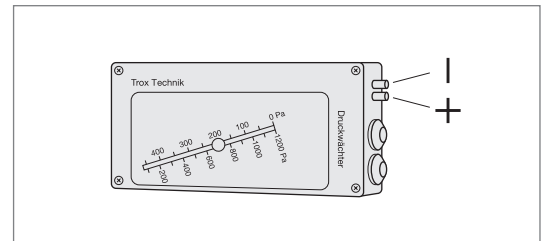
Table 2: Technical data and order number for the measuring fluid for the U-tube manometer

Details of the pressure controller

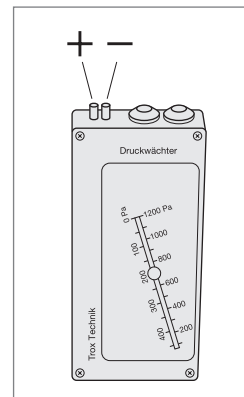


Pressure controller

- » **Application**
Inclined gauge with two measuring ranges for display (and monitoring) of differential pressures.
- » **Construction**
 - Pressure controller without electronics for the display of differential pressures.
 - Pressure controller with electronics for the display of differential pressures and monitoring of filter installations that are dependent on differential pressures.
- » **Equipment**
 - Rigid plastic casing.
 - Measuring tube made of acrylic glass filled with measuring fluid.
- » **Pressure controller with electronics**
 - Two different measuring and switching ranges (according to installation position).
 - Electrical signal output in case the setpoint value is exceeded or undershot.
 - Signal output to a relay which has on/off delay to compensate for short-term signal fluctuation.
 - Signal lamp for visual display when the setpoint value is reached.

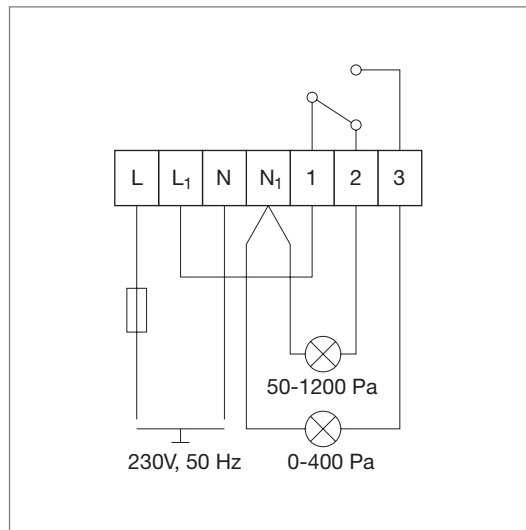


Detail drawing 1:
Installation position of the pressure controller:
horizontal



Detail drawing 2:
Installation position of the pressure controller:
vertical

Technical data



Detail drawing 3:
Wiring diagram for the pressure controller with electronics

Pressure controller

Parameters	Pressure controller with electronics	Pressure controller without electronics
Measuring range for the horizontal installation position of the pressure controller	0 to 400 Pa	0 to 400 Pa
Measuring range for the vertical installation position of the pressure controller	50 to 1200 Pa	50 to 1200 Pa
Casing dimensions (B x H x T)	265 x 130 x 50 mm	265 x 130 x 50 mm
Supply voltage	230 V, 50 Hz 24 V, 50 Hz 24 V, direct current	-
Switching contact	Max. 6 A	-

Table 3: Technical data for the pressure controller

Measuring fluid

Parameters	Value
Liquid mixture	Low level of vaporisation (red)
Frost-proof	Up to -15°C
Density	0.88 kg/dm ³
Order number	M537EA2

Table 4: Technical data and order number for the measuring fluid for the pressure controller

Order number

Pressure controller

Construction	Order number
Pressure controller without electronics	M536AC4
Pressure controller with electronics: 230 V, 50 Hz	M536AC3
Pressure controller with electronics: 24 V, 50 Hz	M536AB9
Pressure controller with electronics: 24 V, direct current	M536AB8

Table 5: Order numbers for the pressure controller

TROX[®] TECHNIK TROX GmbH
The art of handling air

Siemensstraße 24
47574 Goch, Germany
Phone +49 (0) 28 23/10 09-0
Fax +49 (0) 28 23/10 09-14
E-mail troxfilter@trox.de
www.troxtechnik.com

Filters

Subject to change / All rights reserved / © TROX GmbH (1/2010)