

TROX GmbH

Heinrich-Trox-Platz
 D-47504 Neukirchen-Vluyn
 Telephone +49/28 45/2 02-0
 Telefax +49/28 45/2 02-2 65
 e-mail trox@trox.de
 www.troxtechnik.com

Product Information TROXNETCOM-AS-Interface TNC-Z0094 (TNC-A2258 + TNC-70230)

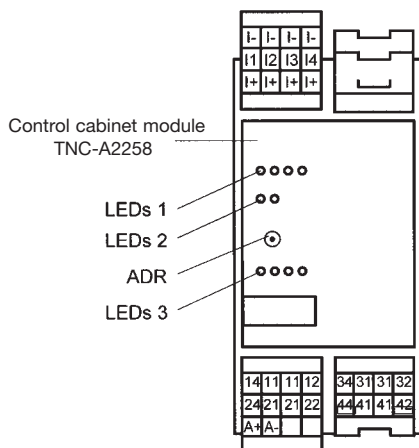
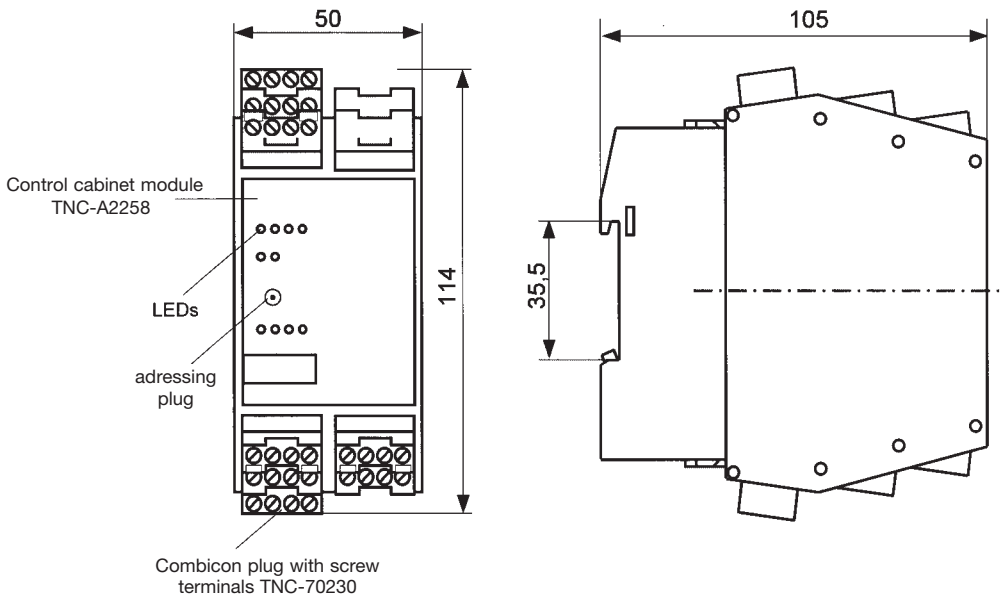
PI/7.1/9/EN/1

TNC-Z0094

The AS-i control cabinet module is an active AS-i module with 4 digital inputs and outputs. The output stages are galvanically separated by relays. This module can be used for potential-free forwarding of collective fault indicators or for turning equipment on/off etc..

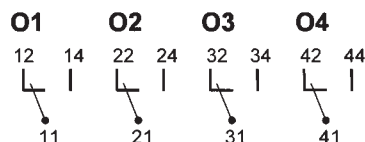
- Integrated AS-i slave
- Transmission monitoring
- Switching of digital outputs with a watchdog function
- Connection to AS-i line segment via terminal blocks
- Supply voltage to module via AS-i

Control cabinet module TNC-A2258 + Combicon connector TNC-70230



Terminal assignment

- A + : AS-i +
- A - : AS-i -
- I + : Sensor supply AS-i (24V)
- I - : Sensor supply AS-i (0V)
- I1 ... I4 : Switching input sensor 1 ... 4
- LEDs 1 : Switching state sensor inputs
- LEDs 2 : AS-i, FAULT
- LEDs 3 : Switching state actuator outputs
- ADR : Addressing plug



Product Information
 TROXNETCOM-AS-Interface
 TNC-Z0094 (TNC-A2258 + TNC-70230)

PI/7.1/9/EN/1

Technical data

Order code	TNC-Z0094
Electrical configuration	4 inputs / 4 outputs
Output function	Relay
Operating voltage [V]	26.5 ... 31.6 DC
Current consumption [mA]	< 250
Inputs	
Switching	PNP
Sensor power input	AS-i
Voltage range [V]	20 ... 30 DC
Current drain for all inputs total [mA]	200
Short-monitoring proof	Yes
High signal 1 switching level [V]	> 11
Input current High/Low [mA]	> 6 / < 2
Outputs	
Galvanically decoupled	Yes
Voltage range [V]	10... 240 AC / 24 DC
Current drain per output [mA]	6000
Function display	
Operating	LED green
Function	LED yellow
Faults	LED red
Operating temperature [°C]	-25 ... +50
Protection class	IP 20
AS-i profile	S 7.0.E
I/O configuration [Hex]	7
ID code [Hex]	0.E
EMC	EN 50295 / EN 50178
Housing material	PA6.6/ PVC
Dimensions (L x W x H) [mm]	105 x 50 x 114
Connection	via terminal blocks