

Product Information Update

Subject: ALS20 Slot Diffusers

Date: May 1999

Applicability: 2/2.6/B/1; 2/2.7/B/1;
2/2.1/B/1; 2/3/EN/5(Slot extrusion
details only)

Ref: PIU 1/1/356

New coding structures for VSD and ALS Slot Diffuser and a number of dimension changes have been introduced.

The attached Product Information Data Sheets give details.

Data Sheet Ref:

Description

VSD Z0	Issue 2	VSD 35/VSD 50 Z0 border
VSD Z4	Issue 1	VSD 35/VSD 50 Z4 border
ALS	Issue 1	ALS 20mm wide slot

Please note the Product code 'ALS' refers to a 20mm wide slot and should not be confused with a **special** wider slot version called ALS 25.

Technical Data remains unchanged.



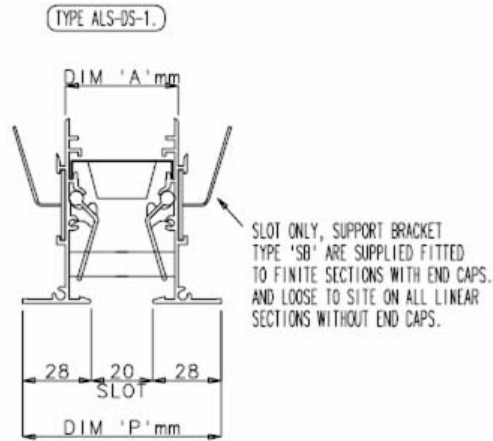
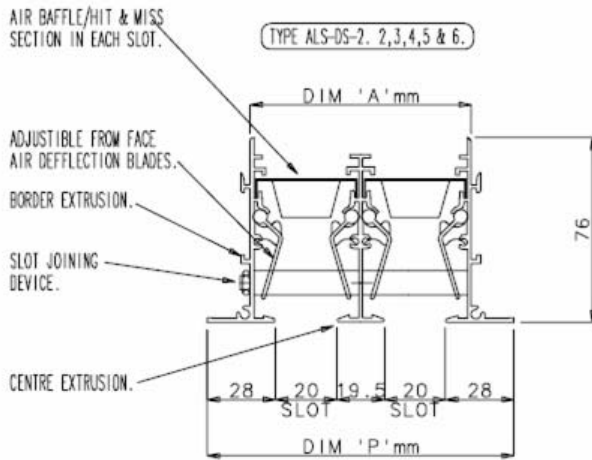
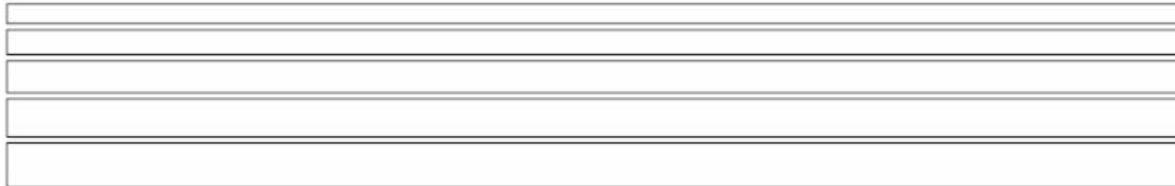
C A Palfrey
Associate Technical Director

Trox (UK) Limited

GB-Thetford Norfolk IP24 3SQ
 Telephone 01842/754545
 Telefax: 01842/763051

TROX[®] TECHNIK

Product Information
 ALS SLOT DIFFUSER.



TYPE 'P' END PLATE.
 'P1' END PLATE ONE END.
 'P2' END PLATE BOTH ENDS.
 SUPPLIED FITTED TO SLOTS.

TYPE 'A' END ANGLE.
 'A1' END PLATE ONE END.
 'A2' END PLATE BOTH ENDS.
 SUPPLIED FITTED TO SLOTS.

SLOT SIZE INFORMATION

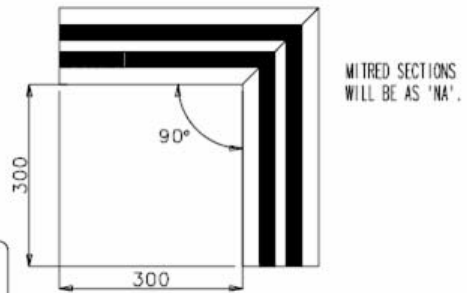
	NO OF SLOTS (N)					
	1	2	3	4	5	6
DIM 'A'	41	80.5	120	159.5	199	238.5
DIM 'P'	76	115.5	155	194.5	234	273.5



TYPE 'O' or BLANK SLOT SUPPLIED WITHOUT END PLATE or ANGLE.

LOOSE END CAPS FOR SITE FITTING
 ORDERED BY CODE ALS-(NO OF SLOTS)
 STATE CLOSER TYPE 'P' OR 'A' PLUS
 QUANTITY REQUIRED. FIXINGS ARE SUPPLIED

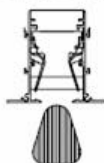
MITRED SECTION
 TYPE ALS-E90. (SHOWN)
 TYPE ALS-E135 AVAILABLE.



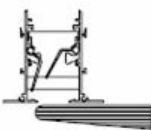
AIR DISCHARGE HORIZONTAL LEFT.



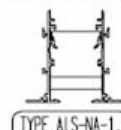
AIR DISCHARGE VERTICAL.



AIR DISCHARGE HORIZONTAL RIGHT.



AIR BAFFLE REPLACED WITH BLANKING SECTION.



TYPE ALS-NA-1.

NO INTERNAL DEVICES.



TYPE ALS-S-1.

STORED AS DATA\ALS-25. All rights reserved © Trox (UK) Limited. Design changes reserved.

Product Information Update

Subject: Plenum Box for Slot Diffuser

Date: December 1999

Applicability: IC 1/1/356

Ref: PIU 1/1/373

Please find attached revised product codes on plenum boxes for slot diffusers.

Code Sheet Reference

CAP/IA/AK-VSD.doc Issue 4

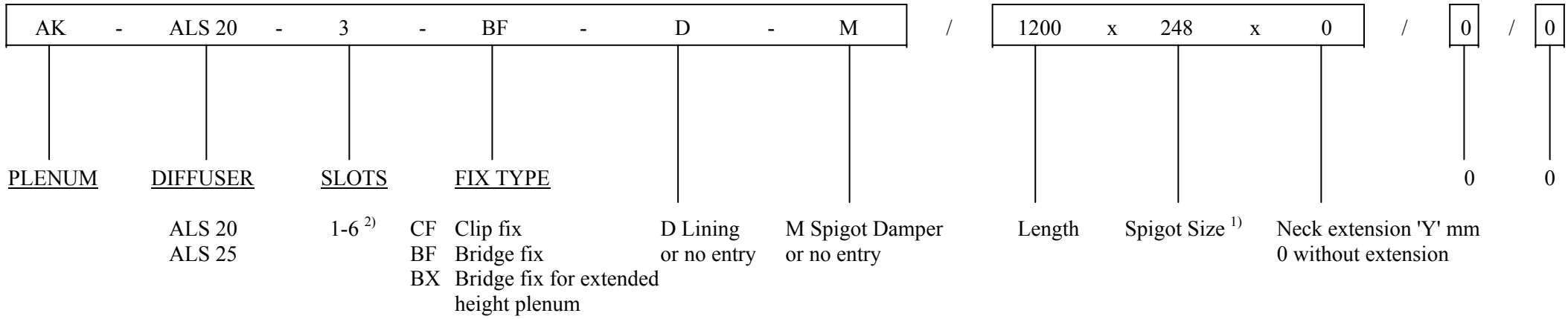
CAP/IA/AK-ALS.doc. Issue 6

The new code identifies the bridge fix for extended height plenums, Code BX.



C A Palfrey
Associate Technical Director

PLENUM BOX FOR SLOT DIFFUSER



²⁾ ALS 25 1- 4 slot only

¹⁾ 2 spigots supplied for plenum length greater than 1500mm

Product Information Update

Subject: AK-ALS20 Plenum

Date: December 1999

Applicability: IC 1/1/356

Ref: PIU 1/1/374

Revised Plenum box details for ALS 20 slot diffuser.

Note the size 158 dia. Spigot has been added to 1 slot, AK-ALS20 range of plenum boxes.

Data Sheet Ref:

Description

AKALS20C Issue 3

AK-ALS20 clip fix plenum

AKALS20B Issue 3

AK-ALS20 bridge fix plenum

The maximum recommended air volume through a 158 dia. Spigot serving a NR35 area is 70 l/s. (The noise level from the slot diffuser should be taken from page 7 of leaflet 2/2.1/B/1).



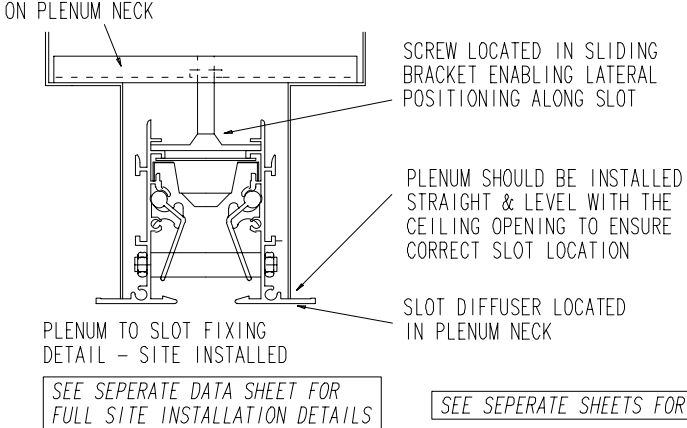
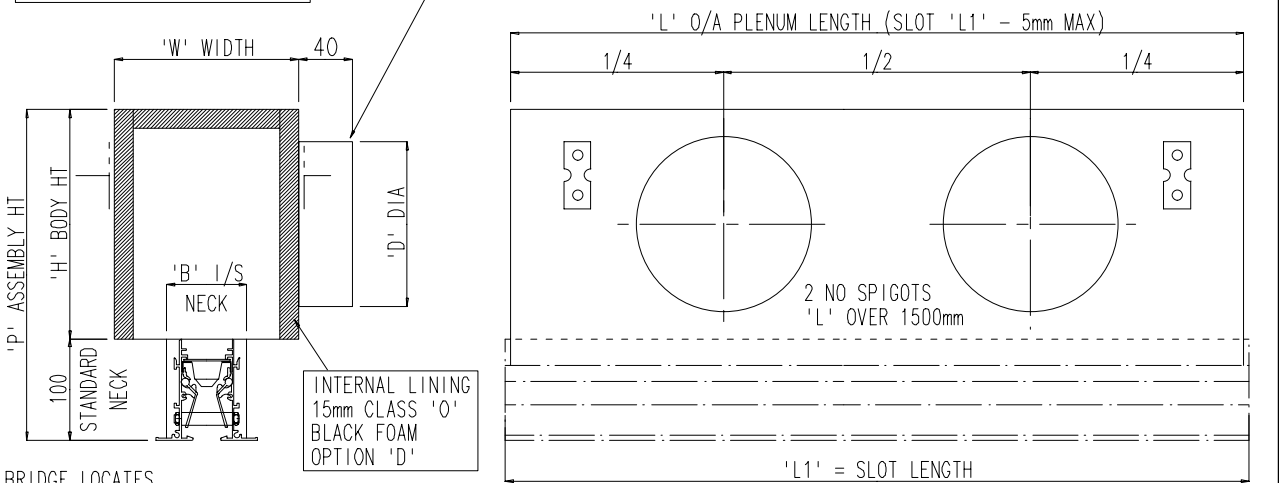
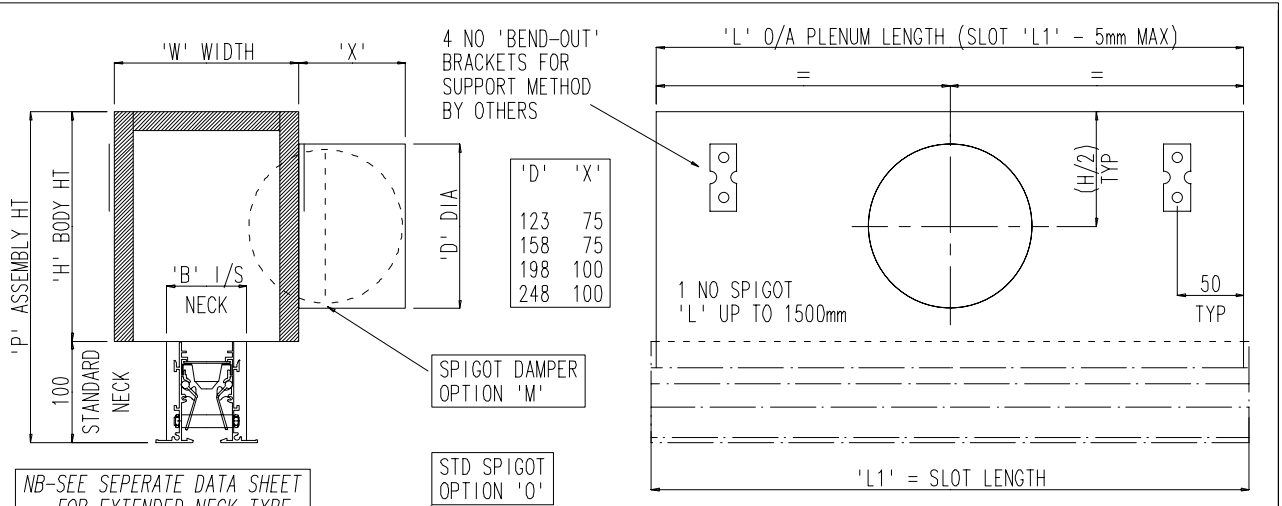
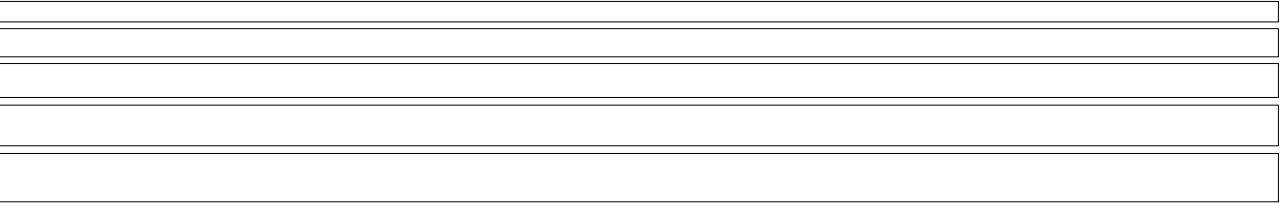
C A Palfrey
Associate Technical Director

Trox (UK) Limited

GB-Thetford Norfolk IP24 3SQ
 Telephone 01842/754545
 Telefax: 01842/763051

TROX[®] TECHNIK

Product Information:
 AK-ALS20-1/2/3/4/5/6/7/8-BF
 '2nd FIX' PLENUM DETAILS
 TO SUPERSEDE DETAILS IN
 TROX LEAFLET 2/2.1/B/1



NOTE! PLENUM AND SLOT ARE SUPPLIED TO SITE AS SEPERATE ITEMS, GENERALLY FOR SLOT TO BE '2nd FIX' ITEM IN ALREADY INSTALLED PLENUM

SLOTS	'P'	'H'	'W'	'B'	'D' RANGE
1	280(305)	180(205)	138	61	123 (158)
2	305	205	176	100.5	123, 158
3	405	305	214	140	158, 198, 248
4	405	305	254	179.5	158, 198, 248
5	405	305	310	219	158, 198, 248
6	405	305	380	258.5	158, 198, 248
7	405	305	380	298	158, 198, 248
8	405	305	420	337.5	158, 198, 248

All rights reserved © Trox (UK) Limited. Design changes reserved.

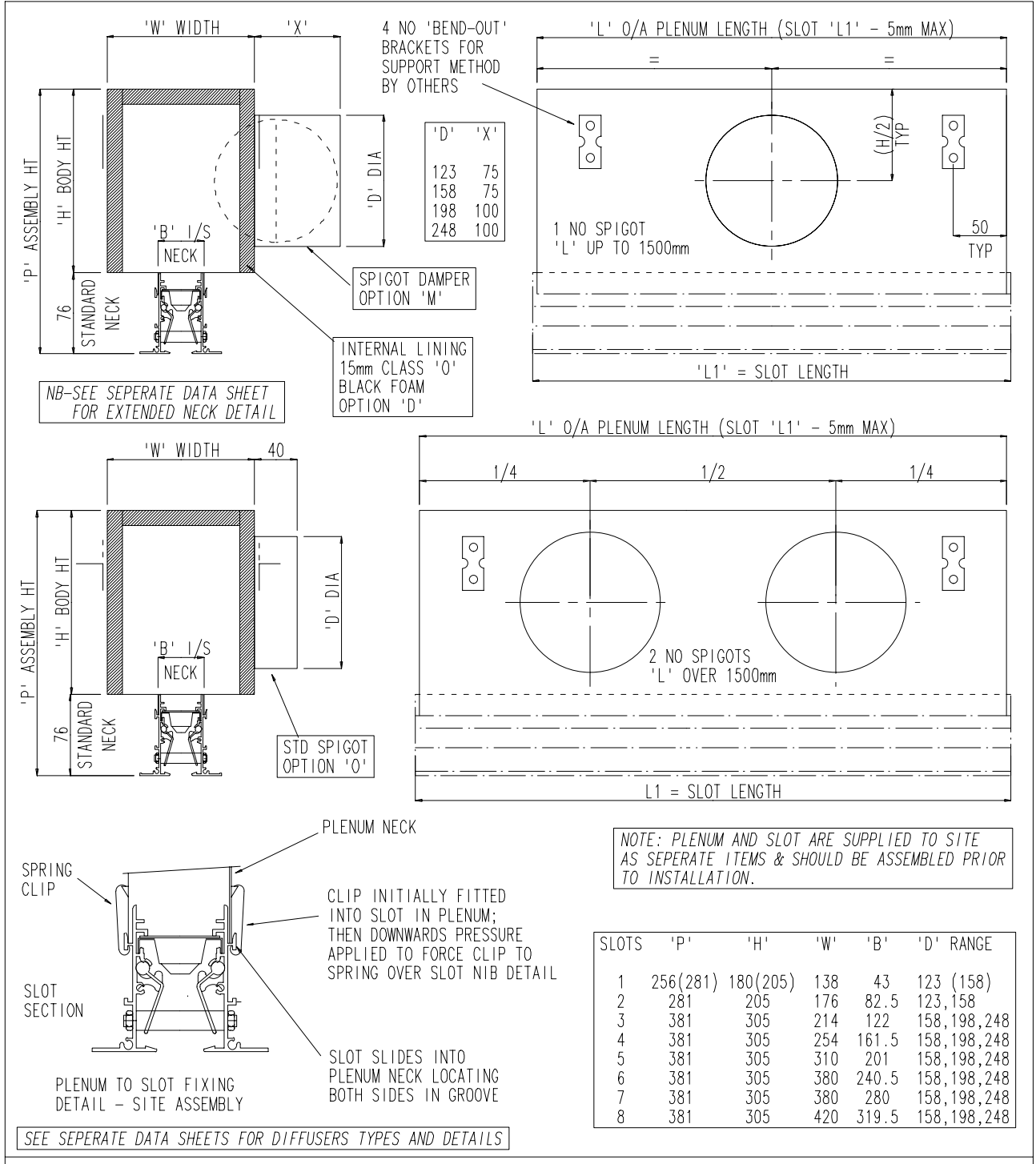
SEE SEPERATE SHEETS FOR DIFFUSER TYPES AND DETAILS.

Trox (UK) Limited

GB-Thetford Norfolk IP24 3SQ
 Telephone 01842/754545
 Telefax: 01842/763051

TROX[®] TECHNIK

Product Information:
 AK-ALS20-1/2/3/4/5/6/7/8-CF
 (CLIP FIX) PLENUM DETAILS
 TO SUPERSEDE DETAILS IN
 TROX LEAFLET 2/2.1/B/1



All rights reserved © Trox (UK) Limited. Design changes reserved.

Product Information Update

Subject: Slot Diffuser

Date: August 2004

Applicability: 2/2.1/B/1

Ref: PIU 1/1/494

PIU Issued: YES NO

With immediate effect the ALS20-DS with hit and miss damper is replaced by the ALS20-T2 with internal perforated spreader plate (similar to that used on ALS25-T2).

The attached data sheet Reference ALS20 Issue 2 dated 19/08/04 shows the revised detail.

Please note that if a volume control damper is required on the ALS20-T2, a type –M- spigot damper must be specified on the plenum.



C A Palfrey
Associate Technical Director

Trox (UK) Limited

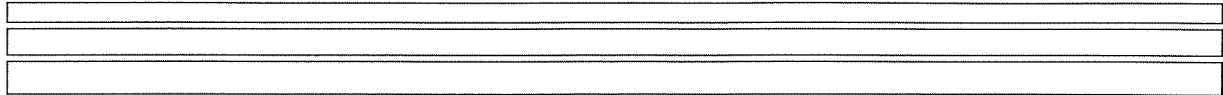
GB-Thetford Norfolk IP24 3SQ
 Telephone 01842/754545
 Telefax: 01842/763051

TROX[®] TECHNIK

Product Information

ALS20-(*)-1/2/3/4/5/6 SLOT DIFFUSER

TO SUPERSEDE DETAILS IN TROX LEAFLET 2/2.1/B/1



PERFORATED BAFFLE STRIP FULL LENGTH EACH SLOT

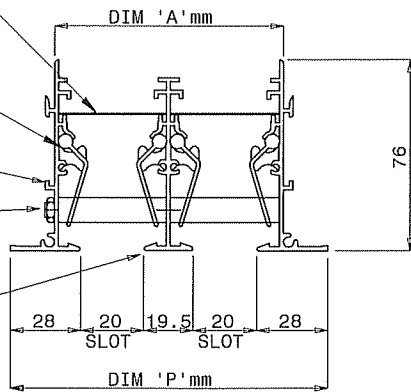
AIR DEFLECTION BLADES ADJUSTABLE FROM FACE

BORDER EXTRUSION

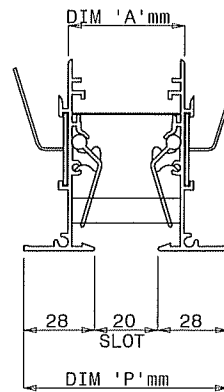
SLOT JOINING STUD

CENTRE EXTRUSION

TYPE ALS20-T2-2/3/4/5/6



TYPE ALS20-T2-1

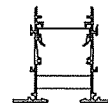


SUPPORT BRACKETS TYPE 'SB' ARE SUPPLIED FITTED TO FINITE SECTIONS WITH END CAPS; OR LOOSE TO SITE ON LINEAR SECTIONS WITHOUT END CAPS NB - FOR 'SLOT ONLY' TYPES (ie WITHOUT PLENUM)

TYPE ALS20-NA-1

SLOT SIZE INFORMATION :

No SLOTS (N)	1	2	3	4	5	6
DIM 'A'	41	80.5	120	159.5	199	238.5
DIM 'P'	76	115.5	155	194.5	234	273.5



AIR BAFFLE REPLACED WITH BLANKING SECTION

TYPE ALS20-S-1

END CLOSURE:

TYPE 'P' END PLATE

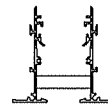
'P1' END PLATE ONE END;
 'P2' END PLATE BOTH ENDS;
 SUPPLIED FITTED TO SLOTS

TYPE 'O'

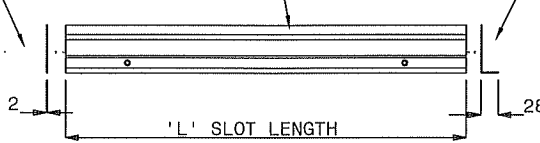
SUPPLIED WITHOUT END PLATE or ANGLE

TYPE 'A' END ANGLE

'A1' END PLATE ONE END;
 'A2' END PLATE BOTH ENDS;
 SUPPLIED FITTED TO SLOTS

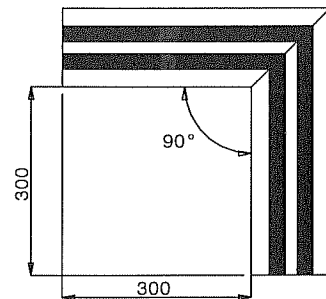


NO INTERNAL DEVICES



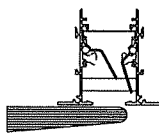
NB:
 LOOSE END CAPS FOR SITE FITTING ORDERED BY CODE:
 ALS20-(NO SLOTS)-(TYPE 'P' OR 'A') + QUANTITY REQUIRED
 (FIXINGS ARE SUPPLIED)

MITRED SECTION:
 TYPE ALS20-E90 (SHOWN) OR
 TYPE ALS20-E135 (OPTION)

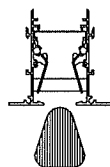


MITRED SECTION CONSTRUCTION AS TYPE 'NA'

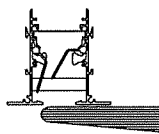
AIR DISCHARGE : HORIZONTAL LEFT



AIR DISCHARGE : VERTICAL



AIR DISCHARGE : HORIZONTAL RIGHT



STORIED AS DATA\ALS-25. All rights reserved © Trox (UK) Limited. Design changes reserved.

ISSUE 2 : 11/11/99

Product Information Update

Subject: Variable Dimension Slot Plenum

Date: October 2006

Applicability: ALS & VSD Slot Diffusers

Ref: PIU 1/1/526

PIU Issued: YES NO

The range of variable dimension plenums type AKV, supplement the standard AK range.

The AKV range has the following features:-

- a) Enables a minimum height to be used.
- b) Enables a large extension to be made on height.
- c) Enables the number of spigots to increase to 4 off.
- d) Enables length to be stated in mm increments.
- e) CF, BF and BX fixing options for slot diffuser.
- f) 15mm black class 'O' foam lining option.
- g) M type damper option up to size 398 dia.

In critical section situations it is recommended that only standard plenum boxes are used for which full-published performance data exists.

Please find attached product code sheets for AKV-VSD35, AKV-VSD50: AKV-ALS20 and AKV-ALS25. The height of the plenum is always to be given and stated as overall height including diffuser (see calculation on code sheet).

Product data sheet, ref. AKV-Slot, Issue 3, dated 8/12/99 is also attached.

C A Palfrey



Associate Technical Director

Trox (U.K.) Limited

GB-Thetford Norfolk IP24 3SQ
 Telephone : 01842-754545
 Telefax : 01842-763051

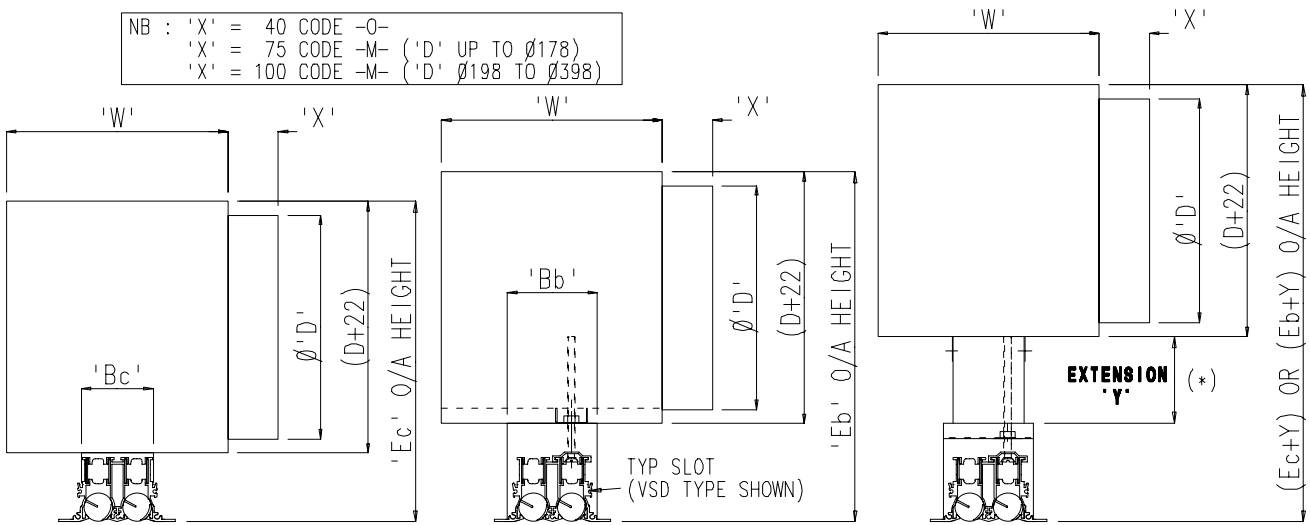
TROX[®] TECHNIK

Product Information Update

VARIABLE HEIGHT SLOT PLENUMS:
 -TYPES AKV-VSD35/ -VSD50/ -ALS20/ -ALS25
 ie O/A HEIGHT RELATED TO REQUIRED
 SPIGOT DIAMETER;
 -TO SUPPLEMENT DETAILS IN CATALOGUE LEAFLETS

AVAILABLE SPIGOT SIZES 'D' : SUBJECT (1) TO LIMITATIONS AS NOTED (*) (2) MAX 'D' FOR TYPE 'M' = ϕ 398
 61/ 73/ 78/ 98/ 123/ 138/ 148/ 158/ 178/ 198/ 222/ 248/ 278/ 298/ 313/ 348/ 353/ 398/ 448/ 498/ 558/ 598

NB : 'X' = 40 CODE -O-
 'X' = 75 CODE -M- ('D' UP TO ϕ 178)
 'X' = 100 CODE -M- ('D' ϕ 198 TO ϕ 398)



TYPICAL PLENUM TYPE 'CF'

TYPICAL PLENUM TYPE 'BF'

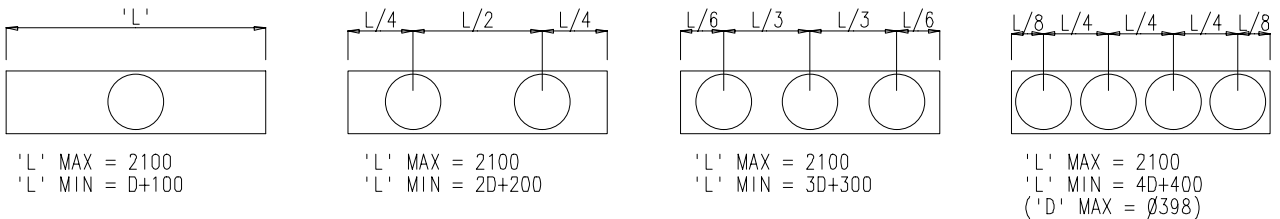
TYPICAL EXTENDED NECK PLENUM 'CF' OR 'BX' (TYPE 'BX' SHOWN)

TYPE	NO. SLOTS	'W'	'Bc'	'Bb'	'Ec'	'Eb'	'D' (*)	MAX
AKV-ALS20	1	138	43	61	(D+98)	(D+122)	198	
	2	176	82.5	100.5	"	"	248	
	3	214	122	140	"	"	298	
	4	254	161.5	179.5	"	"	353	
	5	310	201	219	"	"	448	
	6	380	240.5	258.5	"	"	498	
	7	380	280	298	"	"	498	
	8	420	319.5	337.5	"	"	598	
AKV-ALS25	1	138	48	66	"	"	198	
	2	214	92.5	110.5	"	"	298	
	3	254	137	155	"	"	353	
	4	310	181.5	199.5	"	"	448	
	5	380	226	244	"	"	498	
	6	380	270.5	288.5	"	"	498	

(*) NB : MAX 'Y' = 1150mm 'CF' TYPES
 1100mm 'BX' TYPES
 MIN 'Y' = 25mm ALL TYPES

TYPE	NO. SLOTS	'W'	'Bc'	'Bb'	'Ec'	'Eb'	'D' (*)	MAX
AKV-VSD35	1	138	26.5	41	(D+73)	(D+99)	198	
	2	176	57	71.5	"	"	248	
	3	214	87.5	102	"	"	298	
	4	254	118	132.5	"	"	353	
	5	254	148.5	163	"	"	353	
	6	310	179	193.5	"	"	448	
AKV-VSD50	1	138	41.5	56	(D+81)	(D+107)	198	
	2	176	87	101.5	"	"	248	
	3	238	132.5	147	"	"	348	
	4	310	178	192.5	"	"	448	

PLENUM LENGTHS & TYPICAL SPIGOT POSITIONS :



NOTES :
 -ALL PLENUMS ARE SUPPLIED LOOSE FOR SITE ASSEMBLY TO DIFFUSER;
 TYPE 'CF' CLIPPED TO DIFFUSER PRIOR TO INSTALLATION;
 TYPE 'BX' PLENUM PRE-INSTALLED FOR '2ND FIX' DIFFUSER (REFER SEPERATE SHEET).
 -PLENUM FROM PRE-GALV. MILD STEEL NATURAL FINISH.
 -DAMPER TYPE 'M' FROM PRE-GALV. PERFORATED STEEL.
 -ASSEMBLY SUPPORTED BY OTHERS (4 NO HOLES PROVIDED AT TOP EDGE OF PLENUM).
 -PLENUM INTERNAL LINING (IF REQ'D : CODE -D-) FROM 15mm BLACK FACED CLASS 'O' FOAM

NOTE!
 REFER SEPERATE 'ALS'
 & 'VSD' INFORMATION
 SHEETS & CATALOGUE
 LITERATURE FOR STANDARD
 (FIXED HEIGHT) DETAILS

All rights reserved © Trox (UK) Ltd. Design changes reserved.

ISSUE 1 ... 10/09/99

Product Information Update

Subject: ALS 20 Slot Diffusers

Date: April 2007

Applicability: Leaflet 2/2.1/B/1

Ref: IC 1/1/540

PIU Issued: YES

NO

With immediate effect the ALS20-S is supplied with internal perforated baffle ONLY, as shown on the attached data sheet ref: ALS20 ISSUE 3; 05/04/07.

C A Palfrey



Associate Technical Director

Trox (UK) Limited

GB-Thetford Norfolk IP24 3SQ
 Telephone 01842/754545
 Telefax: 01842/763051

TROX[®] TECHNIK

Product Information

ALS20-(*)-1/2/3/4/5/6 SLOT DIFFUSER

TO SUPERSEDE DETAILS IN TROX LEAFLET 2/2.1/B/1

PERFORATED BAFFLE STRIP FULL LENGTH EACH SLOT

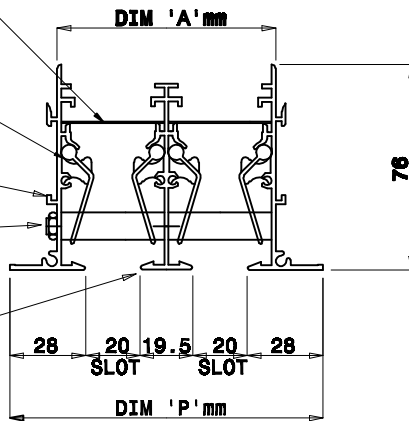
AIR DEFLECTION BLADES ADJUSTABLE FROM FACE

BORDER EXTRUSION

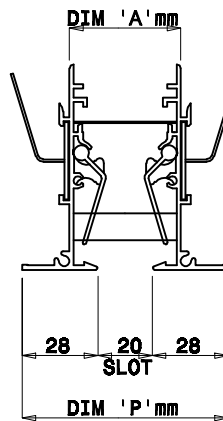
SLOT JOINING STUD

CENTRE EXTRUSION

TYPE ALS20-T2-2/3/4/5/6



TYPE ALS20-T2-1

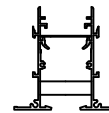


SUPPORT BRACKETS TYPE 'SB' ARE SUPPLIED FITTED TO FINITE SECTIONS WITH END CAPS; OR LOOSE TO SITE ON LINEAR SECTIONS WITHOUT END CAPS NB - FOR 'SLOT ONLY' TYPES (i.e. WITHOUT PLENUM)

TYPE ALS20-NA-1

SLOT SIZE INFORMATION :

No SLOTS (N)	1	2	3	4	5	6
DIM 'A'	41	80.5	120	159.5	199	238.5
DIM 'P'	76	115.5	155	194.5	234	273.5



AIR BAFFLE REPLACED WITH BLANKING SECTION

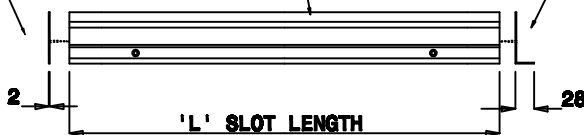
TYPE ALS20-S-1

END CLOSURE:

TYPE 'P' END PLATE
 'P1' END PLATE ONE END;
 'P2' END PLATE BOTH ENDS;
 SUPPLIED FITTED TO SLOTS

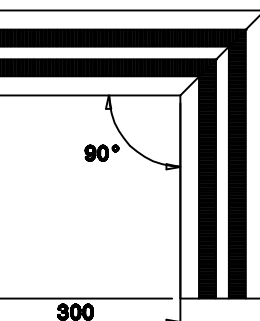
TYPE 'O'
 SUPPLIED WITHOUT
 END PLATE or ANGLE

TYPE 'A' END ANGLE
 'A1' END PLATE ONE END;
 'A2' END PLATE BOTH ENDS;
 SUPPLIED FITTED TO SLOTS



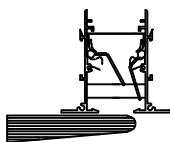
NB:
 LOOSE END CAPS FOR SITE FITTING ORDERED BY CODE:
 ALS20-(NO SLOTS)-(TYPE 'P' OR 'A') + QUANTITY REQUIRED
 (FIXINGS ARE SUPPLIED)

MITRED SECTION:
 TYPE ALS20-E90 (SHOWN) OR
 TYPE ALS20-E135 (OPTION)

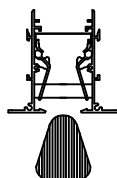


MITRED SECTION
 CONSTRUCTION AS TYPE 'NA'

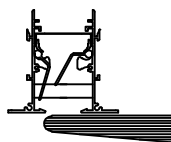
AIR DISCHARGE:
 HORIZONTAL LEFT



AIR DISCHARGE:
 VERTICAL



AIR DISCHARGE:
 HORIZONTAL RIGHT



STORIED AS DATA/ALS-25. ALL rights reserved © Trox (UK) Limited. Design changes reserved.

ISSUE 1 : 11/11/99 * ISSUE 2 : 19/09/04

Product Information Update

Subject: ALS 25 Slot Diffusers

Date: April 2007

Applicability: ALS25 Data Sheet

Ref: IC 1/1/541

PIU Issued: YES

NO

With immediate effect the ALS25-S is supplied with internal perforated baffle ONLY, as shown on the attached data sheet ref: ALS25 ISSUE 3; 05/04/07.

C A Palfrey



Associate Technical Director

TO SUPPLEMENT DETAILS IN TROX LEAFLET 2/2.1/B/1

.....

DISCHARGE:
HORIZONTAL LEFT

AIR DISCHARGE:
VERTICAL

AIR DISCHARGE:
HORIZONTAL RIGHT

ISSUE 1 : 01/05/98 * ISSUE 2 : 11/11/99