

Product Information Update

Subject: ADLQL Ceiling Diffuser

Date: February 2007

Applicability: Leaflet 2/15.1/B/1

Ref: PIU 1/1/536

PIU Issued: YES

NO

Please note the following corrections to Leaflet 2/.15.1/B/1 Page 7 Graph 7 the heading should read "Relative level and octave band centre frequency type ADLQL-....-H.

Page 9 the heading for the table should read "Effective area".

C A Palfrey



Associate Technical Director

Product Information Update

Subject: ADLQL Diffusers

Date: July 2008

Applicability: 2/15.1/B/1

Ref: PIU 1/1/568

PIU Issued: YES

NO

The attached data sheet reference ADLQL issue 2 dated 3/7/08 shows the correct size references and dimensions for the standard range of side and top entry ADLQL diffusers complete with plenum. This data sheet replaces all previous size references and dimensions.

C A Palfrey



Associate Technical Director

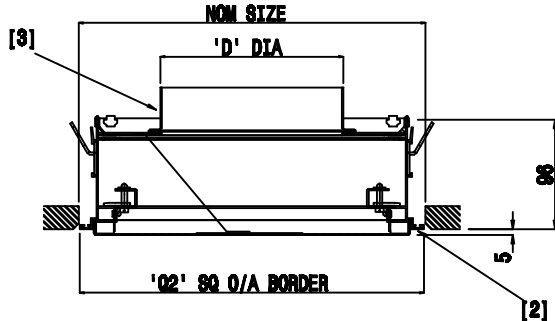
Trox (UK) Limited

GB-Thetford Norfolk IP24 39Q
 Telephone 01842/754545
 Telefax: 01842/763051

TROX[®] TECHNIK

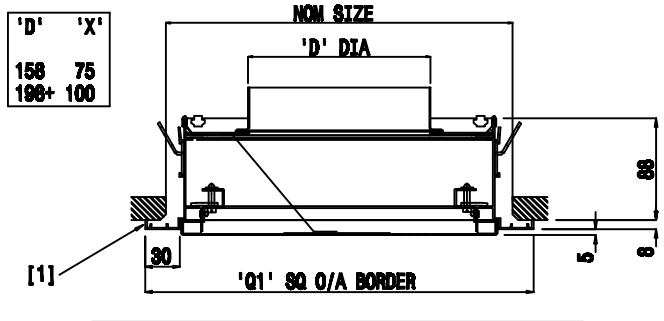
Product Information

ADLQL-K & ADLQL-P DIFFUSERS c/w SIDE & TOP ENTRY PLENUMS



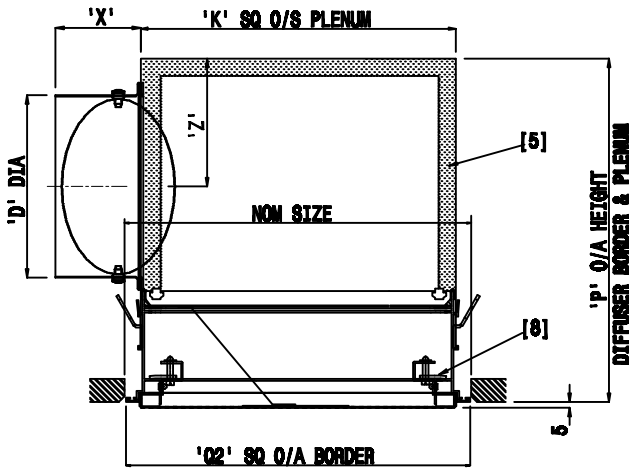
TYPE ADLQL-P-ZV/AV-0-0/300-400-500-600

SUPPLY (-ZV) OR EXTRACT (-AV) REMOVABLE CORE DIFFUSER
 C/W TOP ENTRY SPIGOT FOR NOM OPENING SIZES 300/400/500/600



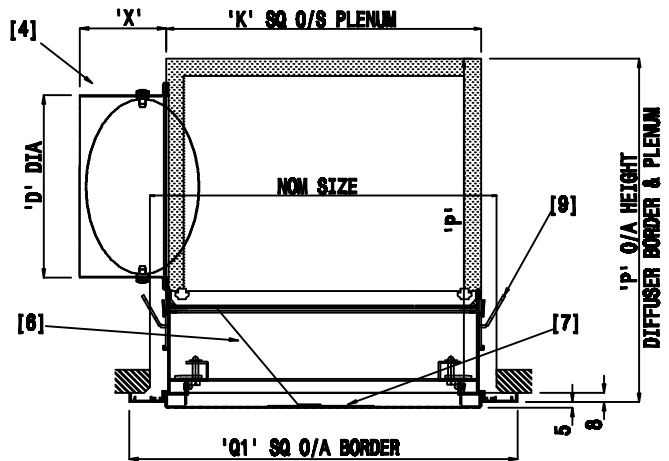
TYPE ADLQL-K-ZV/AV-0-0/300-400-500-600

SUPPLY (-ZV) OR EXTRACT (-AV) REMOVABLE CORE DIFFUSER
 C/W TOP ENTRY SPIGOT FOR NOM OPENING SIZES 300/400/500/600



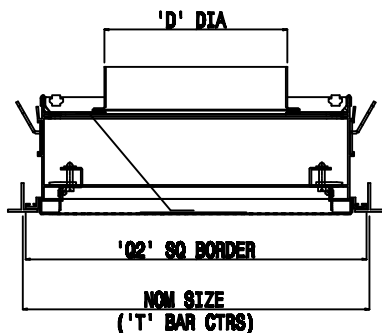
TYPE ADLQL-P-ZH/AH-(0/D)-(0/M)/300-400-500-600

SUPPLY (-ZH) OR EXTRACT (-AH) REMOVABLE CORE DIFFUSER
 C/W SIDE ENTRY SPIGOT FOR NOM OPENING SIZES 300/400/500/600



TYPE ADLQL-K-ZH/AH-(0/D)-(0/M)/300-400-500-600

SUPPLY (-ZH) OR EXTRACT (-AH) REMOVABLE CORE DIFFUSER
 C/W SIDE ENTRY SPIGOT FOR NOM OPENING SIZES 300/400/500/600



TYPE ADLQL-P-ZV/AV-0-0/(295/595)

TOP ENTRY PLENUM AS ABOVE, BUT SIZES
 TO SUIT NOM 300 or 600 'T' BAR CEILING

TYPE ADLQL-P-ZH/AH-(0/D)-(0/M)/(295/595)

AS ABOVE BUT WITH SIDE ENTRY PLENUM

NOM	'D'	'Q1'	'Q2'	'K'	'P'	'Z'
300	158	336	298	274	297	110
400	198	436	398	374	337	130
500	248	536	498	474	387	160
600	313	636	598	574	452	190
295	158	-	295	271	297	110
595	313	-	595	571	452	190

GENERAL NOTES:

- DIFFUSER & PLENUM SUPPLIED AS SINGLE UNIT;
- REDUCED SIZE PLENUM BOXES ALSO AVAILABLE TO SUIT VOLUMES REQUIRED, REFER SEPERATE PRODUCT INFORMATION SHEET REF. 'ADLQL';
- DIFFUSER GENERALLY FROM ALUMINIUM EXTRUSION C/W GALV. STEEL PERFORATED FACE TRAY;
- DIFFUSER FINISH AS SCHEDULED;
- PLENUM FROM GALV. STL - NATURAL FINISH
- LINING MATERIAL 15mm CLASS '0' FOAM (BLACK)

NOTES (APPLY ALL TYPES UNLESS NOTED) :

- [1] TYPE ADLQL-K : FLANGED BORDER
- [2] TYPE ADLQL-P : RECESSED BORDER
- [3] SPIGOT OPTION '0' : STANDARD
- [4] SPIGOT OPTION 'M' ('ZH' TYPE ONLY) : FRICTION HELD VOLUME CONTROL DAMPER IN SPIGOT; LEVER OPERABLE FROM FACE (CORE REMOVED);
- [5] OPTION 'D' (FOR 'ZH' TYPE ONLY) : INTERNALLY LINED PLENUM;
- [6] OPTION 'BP' : 1,2, OR 3-WAY BLANKING AS SPECIFIED - LOOSE SUPPLY;
- [7] CENTRE BAFFLE PL (SUPPLY TYPES 'ZV' & 'ZH' ONLY)
- [8] CORE RETAINED BY TROX STANDARD CONCEALED FASTENERS; SCREWDRIIVER OPERATED THROUGH PERF. FACE
- [9] SUPPORT BRACKETS FOR OPTIONAL USE AS REQ'D.

ALL rights reserved © Trox (UK) Limited. Design changes reserved.

(ISSUE 1 DATE : 02/02/00)