

Armstrong® TECH ZONE CEILING SYSTEM
Air Diffusers

TROX® **TECHNIK**

**Slot diffusers compatible
with Armstrong® TECH ZONE**

The art of handling air

**LINEAR SLOT DIFFUSER
TYPE VSD35 - 2 SLOT**

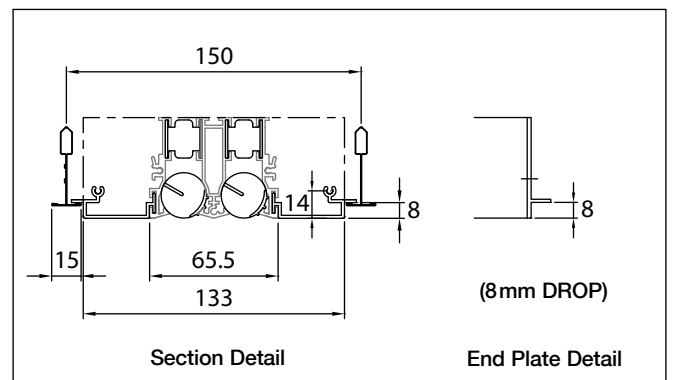
Description

The TROX VSD35 linear slot diffuser integrates TROX high quality air distribution into the Armstrong TECH ZONE ceiling system to give superior performance and aesthetics. VSD35 slot diffuser is available in a 2 slot configuration to suit the MicroLook edge detail with 8mm drop. The VSD is characterized by high induction, which results in a rapid decay of supply air velocity and temperature differential. The direction of discharge can be adapted on site (by others) to the required room conditions. Additional information on the full range of TROX products that can be configured to integrate into Armstrong TECH ZONE can be found on the TROX website www.troxuk.co.uk



VSD35 - 2 SLOT INTEGRATED INTO:

MICROLOOK 8mm T15



Armstrong® TECH ZONE CEILING SYSTEM

Air Diffusers

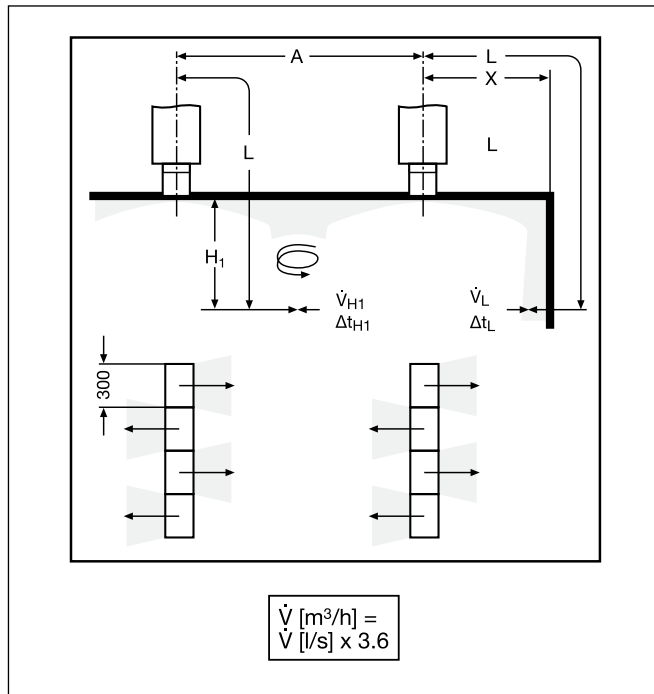
Performance Data

The Type VSD35 can be used in rooms with heights from approximately 2.6m to 4.0m. The recommended supply air temperature differential range is +/-10K. Due to their stable discharge characteristics, the slot diffusers are suitable for use in systems with constant and variable volume flows.

The direction of air discharge can be adapted to the required room conditions. The air control blades are set at the factory to the customer's requirements as stated on the order. If the discharge directions have to be subsequently changed, this can easily be done on site by rotating the air control blades. Complete with rear mounted plenum box fitted with side entry spigot and four suspension brackets to hang complete assembly from the ceiling.

The VSD 35 - 2 slot can be made as a linear slot diffuser or in finite lengths including 1200mm, 1350mm, 1500mm and 1800mm to suit Armstrong TECH ZONE building modules. For full detailed performance data refer to the TROX VSD35 technical leaflet.

The VSD 35 is available in Armstrong Global White or RAL 9010 as Standard.



Alternating Blow Blade Arrangement

Velocities V_{H1} and V_L when distance $H1$ between ceiling and top of occupied space is 1 m											
Static Pressure Pa	Volume Range l/s/m	V_L (m/s)			V_{H1} (m/s)						
		Distance to Fascade X			Slot Diffuser Centres Distance A						
		1275	1425	1725	2.0	2.3	2.7	3.0	3.6	5.4	6.0
11	30	0.24	0.24	0.22	0.11	0.11	0.12	0.13	0.13	0.12	0.11
16	35	0.28	0.28	0.26	0.12	0.13	0.14	0.14	0.15	0.13	0.13
19	40	0.32	0.31	0.3	0.14	0.14	0.15	0.16	0.17	0.15	0.14
27	50	0.41	0.39	0.37	0.17	0.17	0.19	0.2	0.21	0.18	0.17
49	65	0.53	0.51	0.48	0.21	0.22	0.23	0.25	0.26	0.23	0.22

Maximum NC35 assuming 8dB room attenuation, 1200mm long plenum, recommended max spigot velocity 3.5m/s.

Armstrong® TECH ZONE CEILING SYSTEM

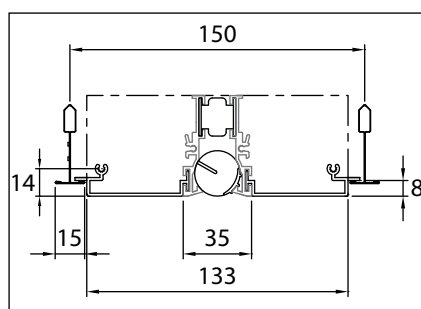
Air Diffusers

Other Configurations

TROX VSD 35 - 2 slot diffuser can be configured to suit other Armstrong TECH ZONE grid details in addition to the MICROLOOK T15 8mm. The VSD 35 can also be supplied in 1 and 3 slot versions to fit TECH ZONE. In addition to the VSD35, TROX has a wide range of diffusers that can be incorporated into the Armstrong TECH ZONE ceiling system as a special configuration.

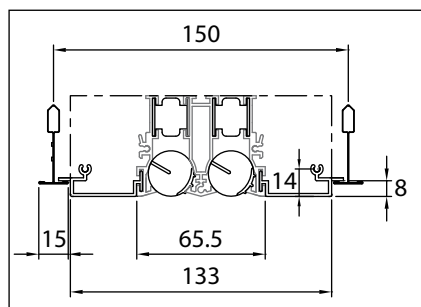
VSD35 - 1 SLOT INTEGRATED INTO:

MICROLOOK 8mm T15

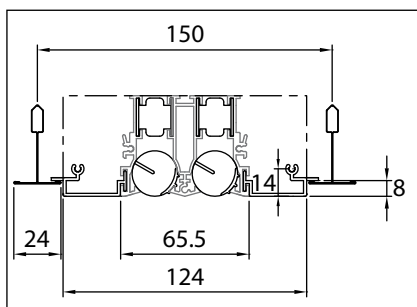


VSD35 - 2 SLOT INTEGRATED INTO:

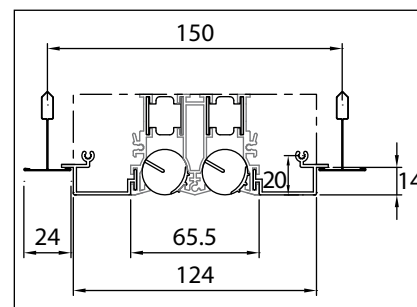
MICROLOOK 8mm T15



TEGULAR 8mm T24

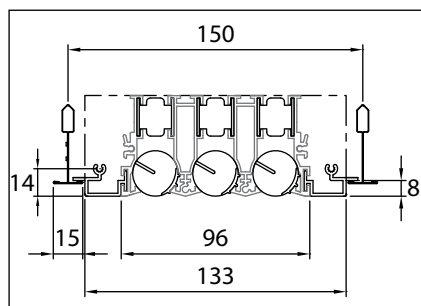


TEGULAR 14mm T24



VSD35 - 3 SLOT INTEGRATED INTO:

MICROLOOK 8mm T15



TROX[®] TECHNIK

The art of handling air

TROX UK Ltd

Caxton Way
Thetford
Norfolk
IP24 3SQ

Phone +44 (0)1842 754545

Fax +44 (0)1842 763051

TechZone@troxuk.co.uk

www.troxuk.co.uk

Armstrong World Industries Ltd.

Building Products Division
Armstrong House, 38 Market Square,
Uxbridge UB8 1NG

0800 371849 (UK) **FREEPHONE**

1800 409002 (ROI)

Fax 00 44 (0) 1895 274287
sales-support@armstrong.com

www.armstrong-ceilings.co.uk/techzone

www.armstrong-ceilings.ie

Dubai | United Arab Emirates

Armstrong Building Products L.L.C.

P.O. Box 73831

Phone: +971 43 397 099

Fax: +971 43 397 088

www.armstrong.eu

 **Armstrong[®]**