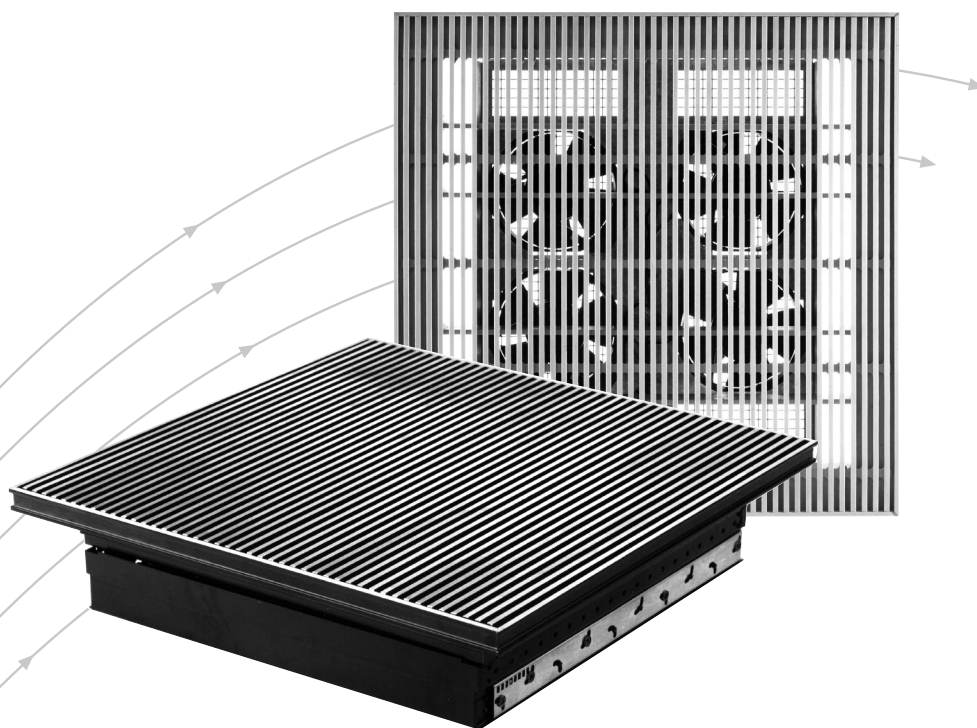


Computer Room Floor Grille

Type CFG • AFG



TROX® **TECHNIK**

TROX UK Ltd
Caxton Way
Thetford
Norfolk IP24 3SQ

Telephone +44 (0) 1842 754545
Telefax +44 (0) 1842 763051
e-mail trox@troxuk.co.uk
www.trox.co.uk

Contents · Application

Description · Materials	2
Construction · Dimensions	3
Fan Specification · Performance Data	4
Order Details	5

Description

Floor grille types CFG and AFG are specifically developed for mounting in Raised Access Floors in such areas as Computer Rooms, where load and damage resistance are of the utmost importance.

Having a heavy duty construction, they can replace 600mm square floor tiles. Grille border depth can be specified to suit the type of floor system used. A range of surface finishes is available.

The type CFG is a fan assisted computer room floor grille that eliminates hotspots and reduces risk of equipment failure by providing up to 5kW of cooling per cabinet. The unit eliminates vertical temperature gradients and delivers the required air flow with low or even zero floor void pressure. Plug and play connectivity, available as standard 230V supply, for other voltages please enquire.

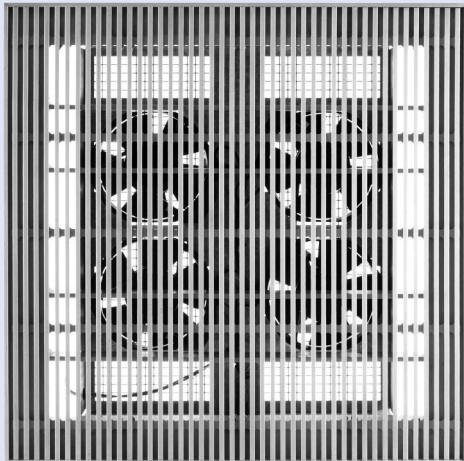
The type AFG is a static grille assembly which can handle supply air or alternatively extract air and be fitted with rear opposed blade damper assembly for air volume flow control.

Materials

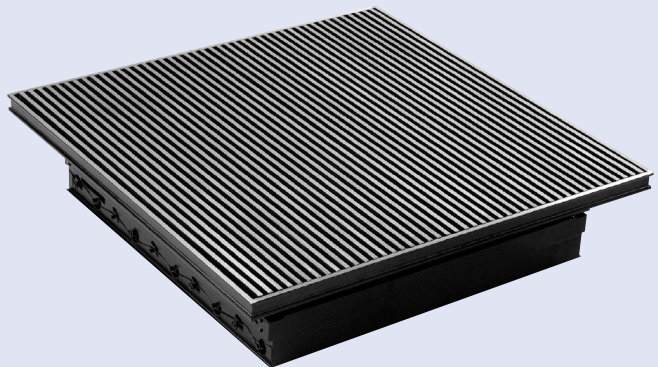
Grille face and border frame are from extruded aluminium sections, standard finish polyester powder coat silver grey RAL 9006. Optional finishes include black RAL 9005 polyester powder coat or with additional nylon reinforcement.

Rear assemblies made from formed sheet steel frame and extruded aluminium blades, stove enamelled black (RAL 9005).

Type CFG



Type AFG



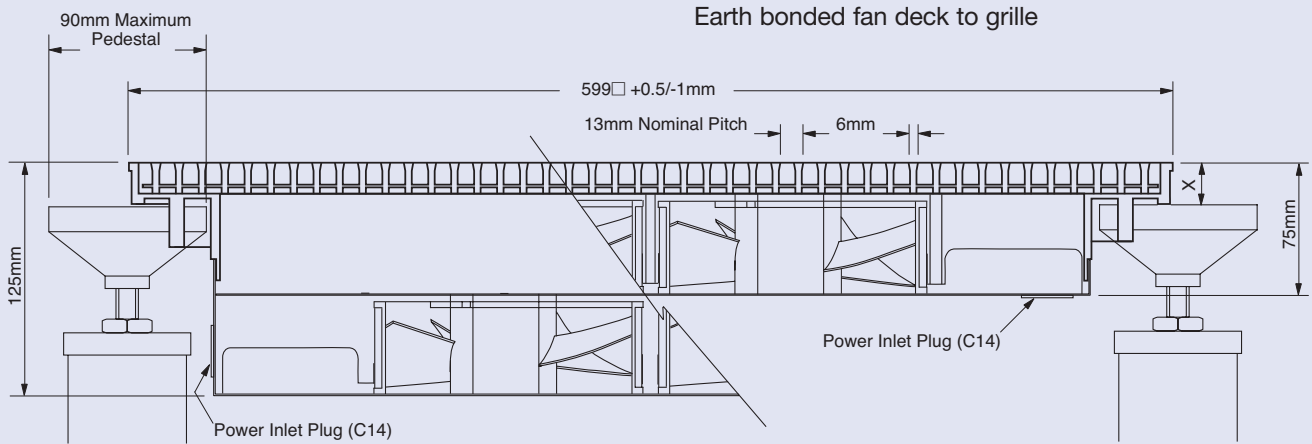
Construction · Dimensions

Type CFG

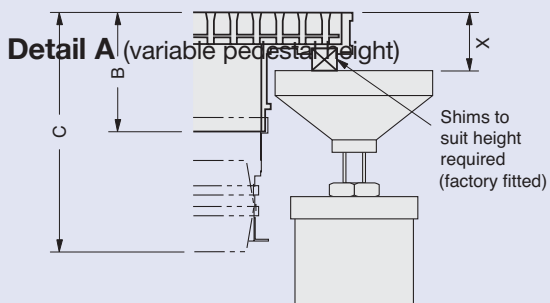
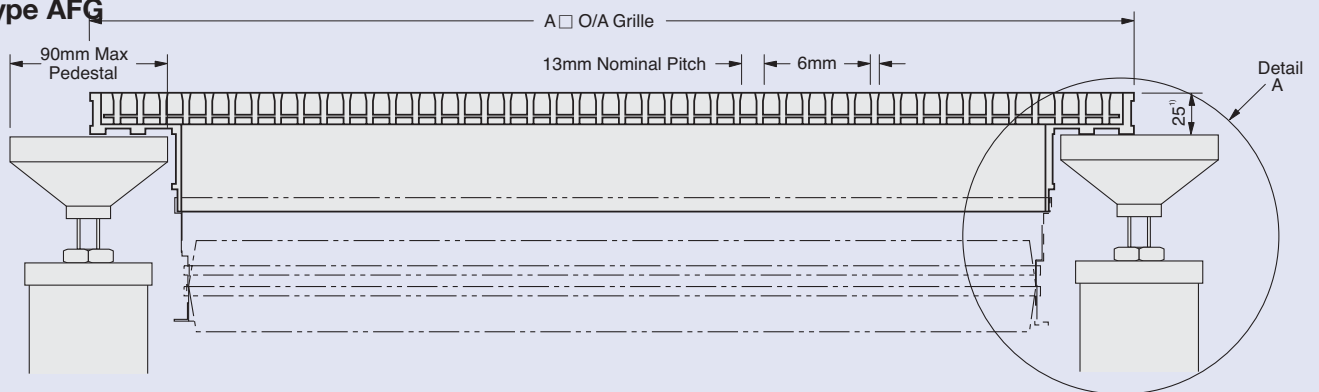
The optional 75mm deep assembly including the fans results in the total assembly being within the tile depth. However 75mm unit does not have the structural performance of the 125mm deep unit (see page 4).

Product is supplied with standard EN IEC 60320 power inlet plug (C14). Socket (C13) and fused power supply lead supplied by others.

Type CFG



Type AFG



Dimensions

Nominal Size	A	B	C
600 x 600	599	68.5	140 approx

1) Standard dimension

X can be in 1mm steps up to 50mm

Fan Specification · Performance Data

Fan specification

Watts/Motor	26
Total Watts	104
Amps/Motor	0.12
Total Amps	0.48
Motor 230V AC	50Hz

Selection guide

The CFG floor grille should be located at the front of the I.T./Comms cabinet experiencing hot spot conditions the cabinet should incorporate a perforated door. The floor void static pressure must be considered in the selection process (see Potential cooling below). Sufficient void air (cooled by others) must be available to be drawn by the grille at the specific point of need.

Acoustic data

Sound power level for one CFG 76dB(A)

In an area with several units the noise level will increase due to multiple sources. To allow for this and room attenuation an assessment should be made by an acoustic engineer to ensure required room noise levels are achieved.

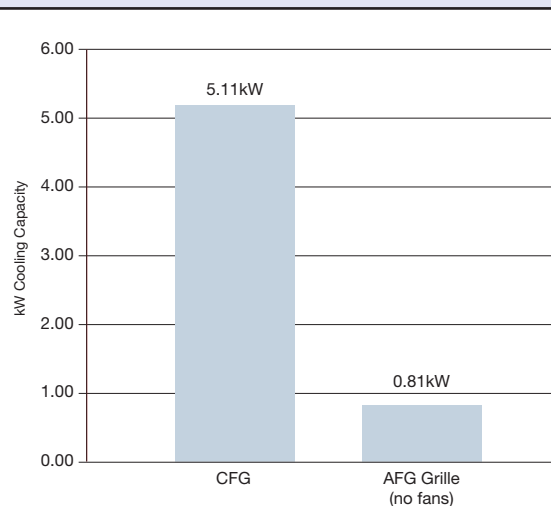
Structural performance

The 125mm deep unit will provide the following strength against the performance specification:

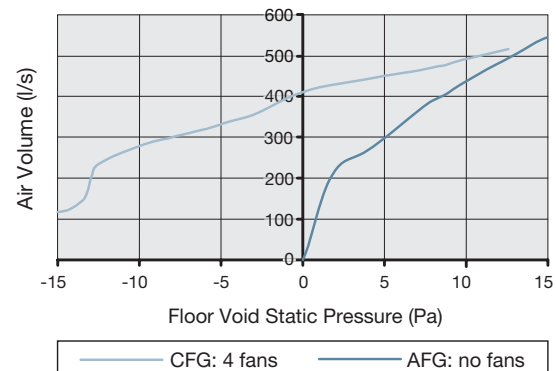
PSA MOB PF2 PS/SPU March 1992, with the following results:

Test	Result
Stability of deflection (centre of grille): 4.5 kN static load through 25mm square indenter	Deflection 23 hours after load applied - 3mm Deflection 24 hours after load applied - 3mm 0.09mm permanent deformation 0.01mm permanent indentation
Impact load test: 40 kg Sand Bag from 1m height	Did not collapse
Dynamic rolling load test: 4.5 kN load 50 passes of wheel 3 kN load 50 passes of wheel 3 kN load 50 passes of wheel	Did not collapse 0.40mm Vertical permanent deformation (max) 0.20mm Horizontal permanent deformation (max)
Safety load test (centre of grille): 13.5 kN load through 25mm square indenter	Did not collapse

Potential cooling



Note: Based on 10k rise across I.T. equipment with 1 Pascal floor void static pressure



Specification Text

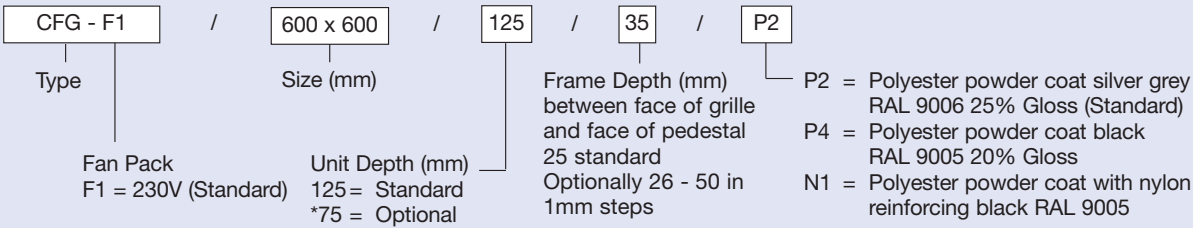
Heavy duty construction floor grille for computer rooms for supply air. Edge frames with welded mitred corners suitable for pedestal mounting. Front profiled blade sections welded to edge frame. Height between pedestal face and face of grille to be selected with permanently factory fitted shims as necessary. Options: with integrated fan assembly or static grille with optional opposed blade damper assembly.

Materials

Grille face and border frame are from extruded aluminium sections, polyester powder coat silver grey RAL 9006 as standard. Optional finishes include black RAL 9005 polyester powder coat or with additional nylon reinforcement.

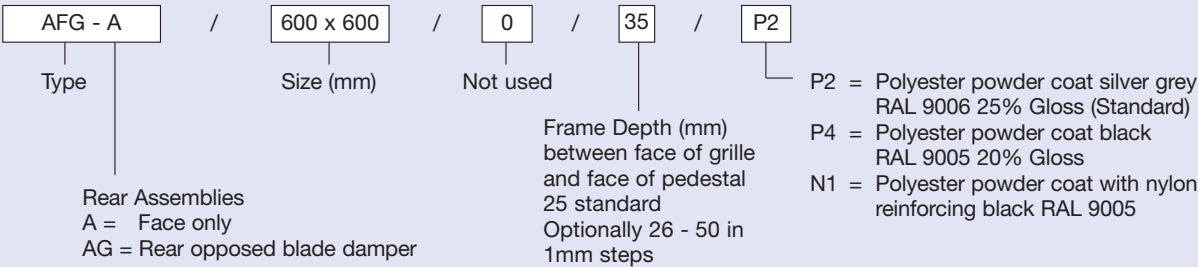
Rear assemblies made from formed sheet steel frame and extruded aluminium blades, stove enamelled black (RAL 9005).

Order Code CFG



*Does not have the structural performance of 125mm unit

Order Code AFG



Order Example

Make: TROX
 Type: AFG-A / 600 x 600 / 0 / 35 / P2